

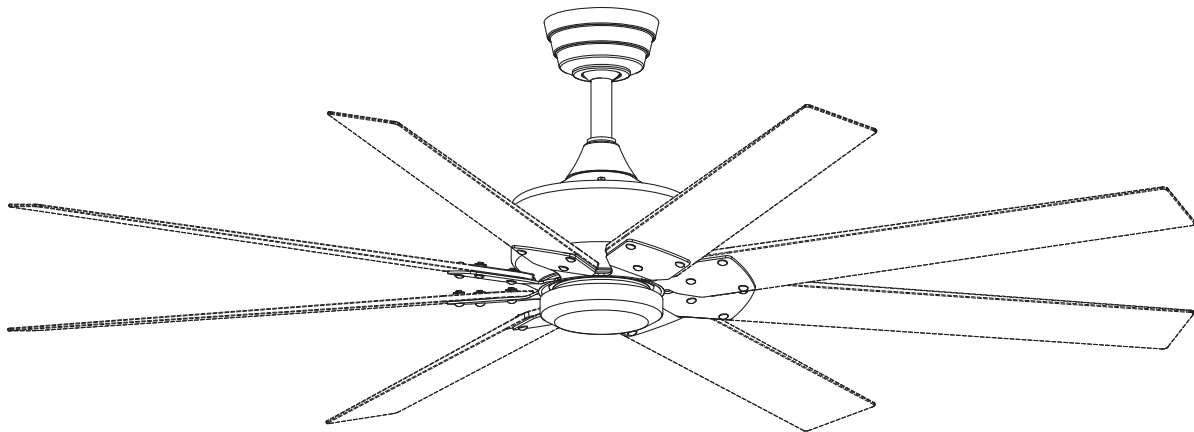


FANIMATION®
SHOWROOM COLLECTION

LEVON™ CUSTOM DC CEILING FAN

MODEL #MAD7912**

Español p. 21



ATTACH YOUR RECEIPT HERE AND REGISTER YOUR FAN AT FANIMATION.COM
READ AND SAVE THESE INSTRUCTIONS



Serial Number _____ Purchase Date _____ Net Weight 18.96 lbs (8.6 kg)



Questions, problems, missing parts? Before returning to your retailer, call our customer service department at 1-888-567-2055, 8 a.m.-5 p.m., EST, Monday-Friday.

Important Safety Instructions

WARNING: To avoid fire, shock and serious personal injury, follow these instructions.

1. Read your owner's manual and safety information before installing your new fan. Review the accompanying assembly diagrams.
2. Before servicing or cleaning unit, switch power off at service panel and lock service panel disconnecting means to prevent power from being switched on accidentally. When the service disconnecting means cannot be locked, securely fasten a warning device, such as a tag, to the service panel.
3. Be careful of the fan and blades when cleaning, painting, or working near the fan. Always turn off the power to the ceiling fan before servicing.
4. Do not insert anything into the fan blades while the fan is operating.
5. Do not operate reversing switch until fan blades have come to a complete stop.
6. The appliance is not intended for use by young children or infirm persons without supervision. Young children should be supervised to ensure that they do not play with the appliance.

Additional Safety Instructions

1. To avoid possible shock, be sure electricity is turned off at the fuse box before wiring, and do not operate fan without blades.
2. All wiring and installation procedures must satisfy National Electrical Codes (ANSI/ NFPA 70) and Local Codes. The ceiling fan must be grounded as a precaution against possible electrical shock. Electrical installation should be made or approved by a licensed electrician.
3. The fan base must be securely mounted and capable of reliably supporting at least 35 lbs. See page 6 of owner's manual for support requirements. Consult a qualified electrician if in doubt.
4. The fan must be mounted with the fan blades at least 7 feet from the floor to prevent accidental contact with the fan blades.
5. Follow the recommended instructions for the proper method of wiring your ceiling fan. If you do not have adequate electrical knowledge or experience, have your fan installed by licensed electrician.
6. Suitable for use with solid-state speed controls.
7. This fan is to be used in dry and damp locations.
8. For supply connections, if the conductor of a fan is identified as a grounded conductor, then it should be connected to a grounded conductor power supply. If the conductor of a fan is identified as an ungrounded conductor, then it should be connected to an ungrounded conductor power supply. If the conductor of a fan is identified for equipment grounding, then it should be connected to an equipment-grounding conductor.

WARNING: TO REDUCE THE RISK OF ELECTRIC SHOCK, THIS FAN MUST BE INSTALLED WITH A GENERAL USE, ISOLATING WALL CONTROL/ SWITCH.

WARNING: This product is designed to use only those parts supplied with this product and/or accessories designated specifically for use with this product. Using parts and/or accessories not designated for use with this product could result in personal injury or property damage.

WARNING: To reduce the risk of personal injury, do not bend the blade bracket (flange or blade holder) when installing the brackets, balancing the blades, or cleaning the fan. Do not insert foreign objects in between rotating fan blades.

WARNING: Do not operate this fan with a variable (Rheostat) wall controller or dimmer switch. Doing so could result in damage to the ceiling fan's remote control unit.

This device complies with Part 15 of the FCC Rules. Operation is subject to the following two conditions:

(1) This device may not cause harmful interference, and (2) this device must accept any interference received, including interference that may cause undesired operation. If the intentional radiator can be classified as a Class B digital device or a PC peripheral, then shall include the following or equivalent:

Note: This equipment has been tested and found to comply with the limits for Class B digital device, pursuant to part 15 of the FCC Rules. These limits are designed to provide reasonable protection against harmful interference in a residential installation

This equipment generates, uses and can radiate radio frequency energy and, if not installed and used in accordance with the instructions, may cause harmful interference to radio or television reception, which can be determined by turning the equipment off and on, the user is encouraged to try to correct the interference by one or more of the following measures:

- Reorient or relocate the receiving antenna.
- Increase the separation between the equipment and the receiver.
- Connect the equipment into an outlet on a circuit different from that to which the receiver is connected.

Consult the dealer or an experienced radio/TV technician for help.

Note: For a Class A digital device, statements of 15. 105(a) must be included when appropriate for the device in question.

LIMITED LIFETIME WARRANTY

Extends to the original purchaser of a Fanimation Fan

1. **LIMITED LIFETIME MOTOR WARRANTY** - If any part of your fan motor fails, due to a defect in materials or workmanship during the lifetime of the original purchaser, Fanimation will provide the replacement part free of charge, when the defective fan is returned to our national service center. Proof of purchase is required. Customer shall be responsible for all costs incurred in the removal or reinstallation and shipping of the product for repairs or replacement.
2. **ONE YEAR MOTOR LABOR WARRANTY** - If your fan motor fails at any time within one year from the original purchase, due to defects in materials or workmanship, labor to repair the motor will be provided free of charge at our national service center. Purchaser will be responsible for labor charges after this one-year period. Customer shall be responsible for all costs incurred in the removal or reinstallation and shipping of the product for repairs or replacement.
3. If any other part of your fan fails at any time within one year after original purchase, due to a defect in materials or workmanship, we will repair, or replace, at our option, the defective part free of charge for parts and labor performed at our national service center.
4. If any other part of your light kit fails at any time within five years after original purchase, due to a defect in materials or workmanship, we will repair, or replace, at our option, the defective part free of charge for parts and labor performed at our national service center.
5. Because of varying climate conditions, this warranty does not cover changes in the finish, including rusting, pitting, corroding, tarnishing, or peeling.
6. This warranty is void and does not apply to damage from improper installation, neglect, accident, misuse, exposure to extremes of heat or humidity, or as a result of any modification to the original product.
7. All costs of removal and reinstallation of the fan are the sole responsibility of the owner of the fan and not the store that sold the fan or Fanimation.
8. Fanimation reserves the right to modify or discontinue any product at any time and may substitute any part under this warranty.
9. Under no circumstances may a fan be returned without prior authorization from Fanimation. The receipt of purchase must accompany authorized returns and must be sent freight prepaid to Fanimation. The fan to be returned must be properly packed to avoid damage in transit; Fanimation will not be responsible for any damage resulting from improper packaging.
10. It is understood that any repair or replacement is the exclusive remedy available from Fanimation. There is no other expressed or implied warranty. Fanimation hereby disclaims any and all implied warranties, including, but not limited to those of merchantability and fitness for a particular purpose to the extent permitted by law. Some states do not allow limitations on implied warranties. Fanimation will not be liable for incidental, consequential, or special damages arising out of or in conjunction with product use or performance, except as may otherwise be accorded by law. This warranty gives you special legal rights and you may also have other rights that vary from state to state.
11. A certain amount of wobble is normal and should not be considered a problem or a defect.

Table of Contents

Unpacking Instructions	4	How to Operate Your Ceiling Fan	13
Energy Efficient Use of Ceiling Fans	5	Maintenance	15
Electrical and Structural Requirements	5	How to Clean Your Ceiling Fan Blades	15
How to Assemble Your Ceiling Fan	7	Parts List	16
How to Hang Your Ceiling Fan	9	Exploded-View Illustration	17
How to Wire Your Ceiling Fan	10	Optional Light Kit	18
Installing the Canopy Housing	11	Optional Fan Blade	18
Assembling and Mounting the Fan Blades	11	Trouble Shooting	19

This manual is designed to make it as easy as possible for you to assemble, install, operate, and maintain your ceiling fan

Tools Needed for Assembly

- One Phillips head screwdriver
- One wire stripper
- One stepladder
- Four wire connectors (supplied)
- One 1/4" blade screwdriver

Materials

Wiring outlet box and box connectors must be of type required by local code. The minimum wire would be a 3-conductor (2-wire with ground) of the following size:

Installed Wire Length	Wire Size A.W.G.
Up to 50 ft.	14
50 - 100 ft.	12

NOTE: Place the parts from the loose parts bags in a small container to keep them from being lost. If any parts are missing, contact your local retailer.

⚠ WARNING

Before assembling your ceiling fan, refer to section on proper method of wiring your fan (page 10). If you feel you do not have enough wiring knowledge or experience, have your fan installed by a licensed electrician.

Unpacking Instructions

For your convenience, check-off each step. As each step is completed, place a check mark. This will ensure that all steps have been completed and will be helpful in finding your place should you be interrupted.

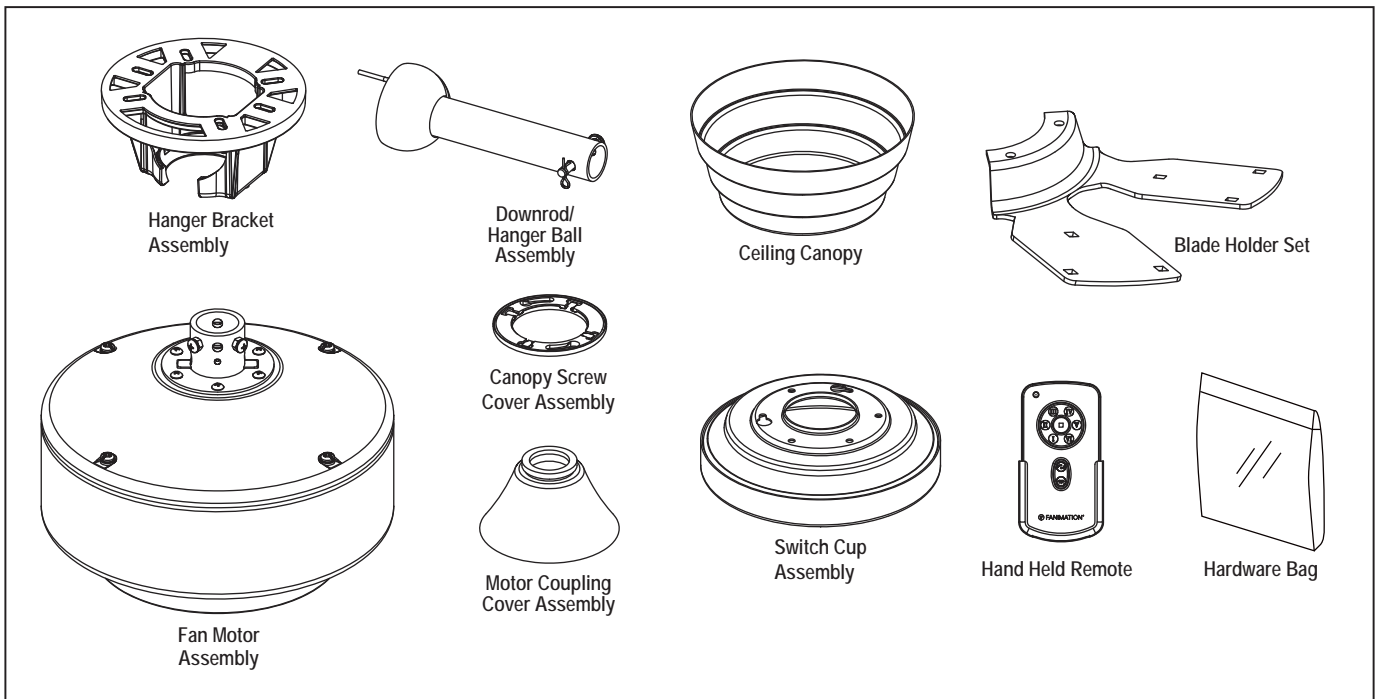
⚠ WARNING

Do not install or use fan if any part is damaged or missing. This product is designed to use only those parts supplied with this product and/or any accessories designated specifically for use with this product by Fanimation. Substitution of parts or accessories not designated for use with this product by Fanimation could result in personal injury or property damage. Contact your retail store for missing or damaged parts.

- Fan Motor Assembly
- Hanger Bracket Assembly
- Downrod/Hanger Ball Assembly
- Ceiling Canopy
- Motor Coupling Cover Assembly
- Canopy Screw Cover Assembly
- Switch Cup Assembly
- Blade Holder Set
- Hand Held Remote
- Hardware bag:
 - 1/4"-20 Pan head screws with lockwashers (blade holder to fan motor hub)
 - 3/16"-24 Carriage head nuts
 - 3/16"-24 Washer head screws (blade holder to blade holder)
 - Wire connectors
 - Flat Washers
 - Philips Screwdriver, 4"
 - Balance Kit

1. Check to see that you have received the following parts:

NOTE: If you are uncertain of part description, refer to exploded view illustration.



Energy Efficient Use of Ceiling Fans

Ceiling fan performance and energy savings rely heavily on the proper installation and use of the ceiling fan. Here are a few tips to ensure efficient product performance.

Choosing the Appropriate Mounting Location

Ceiling fans should be installed, or mounted, in the middle of the room and at least 7 feet from floor to the blade and 18 inches from wall to the blade. If ceiling height allows, install the fan 8 - 9 feet from floor to the blade for optimal airflow. Consult your Fanimation Retailer for optional mounting accessories.

Turn Off When Not in the Room

Ceiling fans cool people, not rooms. If the room is unoccupied, turn off the ceiling fan to save energy.

Using the Ceiling Fan Year Round

Summer Season: Use the ceiling fan in the counter-clockwise direction. The airflow produced by the ceiling fan creates a wind-chill effect, making you "feel" cooler. Select a fan speed that provides a comfortable breeze, lower speeds consume less energy.

Winter Season: Reverse the motor and operate the ceiling fan at low speed in the clockwise direction. This produces a gentle updraft, which forces warm air near the ceiling down into the occupied space. Remember to adjust your thermostat when using your ceiling fan - additional energy and dollar savings could be realized with this simple step!

Electrical and Structural Requirements

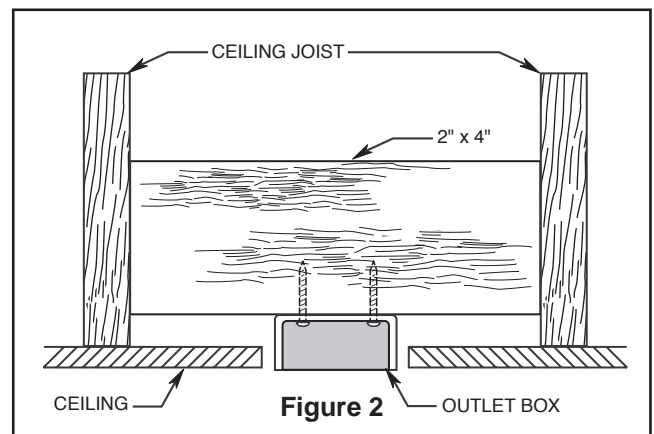
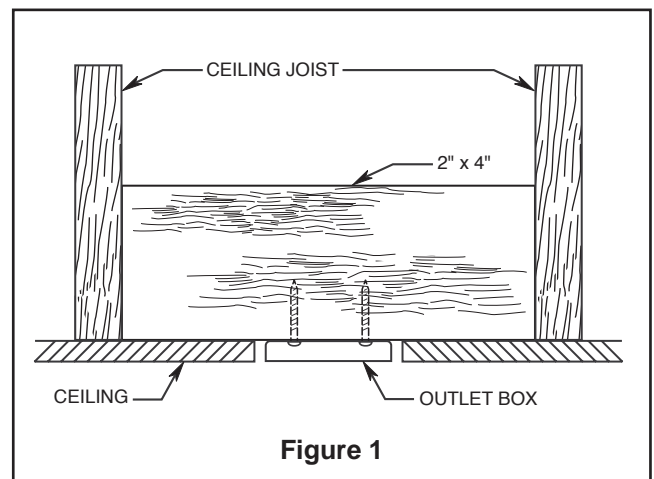
Your new ceiling fan will require a grounded electrical supply line of 120 volts AC, 60 HZ, 15 Amp Circuit. Electrical code requires use of a fan-rated outlet box to support the extra weight and motion associated with a ceiling fan. A fan-rated box will be labeled as such and typically supports up to a 70lb ceiling fan. Fan-Rated Outlet Boxes vary in ratings and design. Ensure the ratings of your ceiling fan outlet box meet the requirements for the ceiling fan being installed. Figure 1, Figure 2 and Figure 3 depicts different structural configurations that may be used for mounting the outlet box.

Low profile box (Figure 1)

A 1/2-in.-deep pancake box is meant to be screwed to a joist or block. It's used if only one cable is coming into the box. It is also available in a saddle-mount configuration.

Deep box (Figure 2)

A 2-1/4-in.-deep box can be attached to blocking between joists and is roomy enough to handle more than one cable.



Electrical and Structural Requirements (Continued)

Deep box with brace (Figure 3)

Paired with a deep box, this hanger is meant to span between two joists and takes the place of wooden blocking.

WARNING

To reduce the risk of fire, electrical shock, or personal injury, mount fan to outlet box marked acceptable for fan support of 15.88 kg (35 lbs) or less. Use screws supplied with outlet box. Most outlet boxes commonly used for support of light fixtures are not acceptable for fan support and may need to be replaced. Consult a qualified electrician if in doubt.

If your fan is to replace an existing light fixture, turn electricity off at the main fuse box at this time and remove the existing light fixture.

WARNING

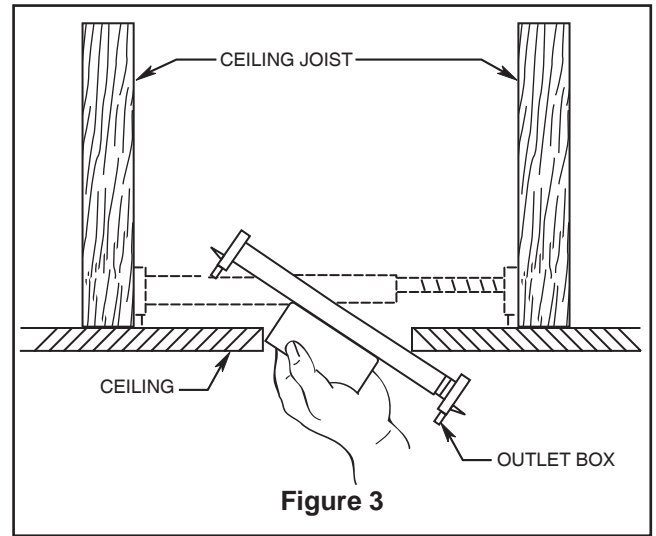
Turning off wall switch is not sufficient. To avoid possible electrical shock, be sure electricity is turned off at the main fuse box before wiring. All wiring must be in accordance with National and Local codes and the ceiling fan must be properly grounded as a precaution against possible electrical shock.

WARNING

To avoid fire or shock, follow all wiring instructions carefully. Any electrical work not described in these instructions should be done or approved by a licensed electrician.

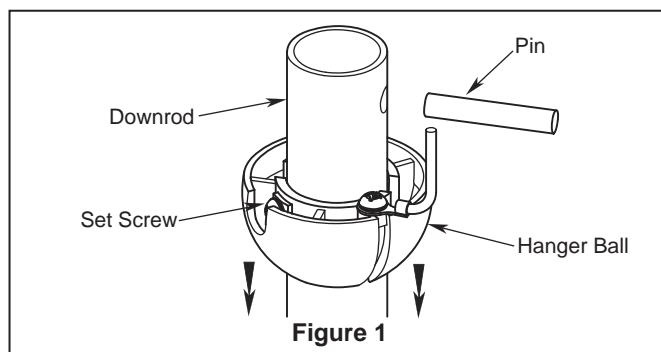
WARNING

Do not operate this fan with a variable (Rheostat) wall controller or dimmer switch. Doing so could result in damage to the ceiling fan's remote control unit.

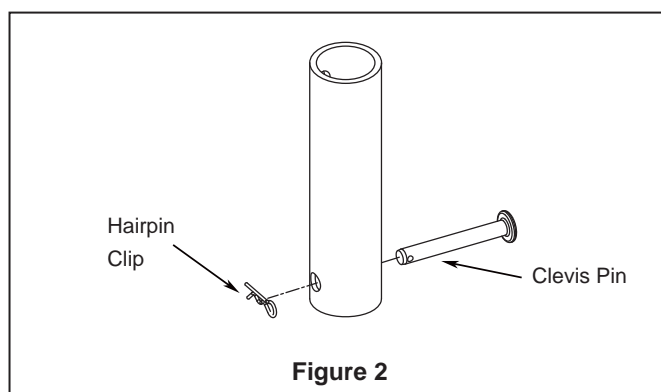


How to Assemble Your Ceiling Fan

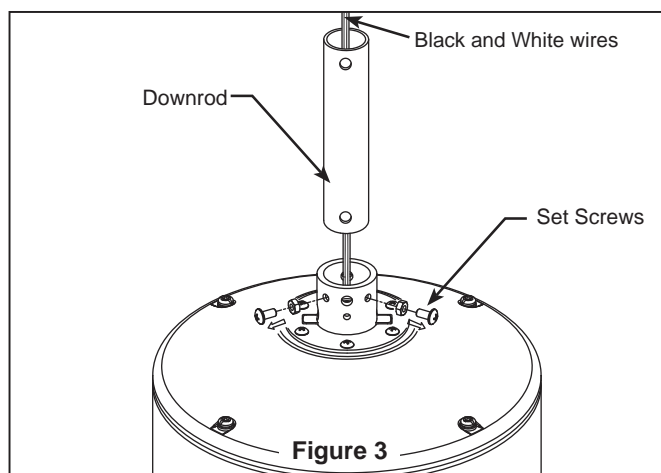
1. Remove the hanger ball portion from the downrod /hanger ball assembly by loosening the set screw in the hanger ball until the ball falls freely down the downrod. Remove the pin from the downrod, then remove the hanger ball. Retain the pin and hanger ball for reinstallation in Step 6 (Figure 1).



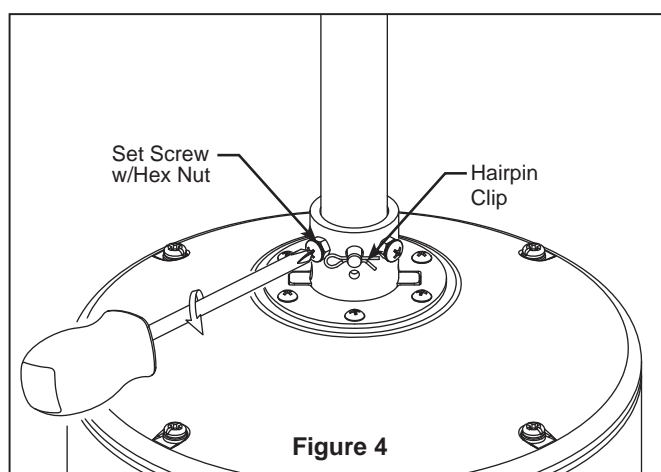
2. Remove the hairpin clip and clevis pin from the bottom of downrod. Retain the pin and clip for reinstallation in Step 4 (Figure 2).



3. The fan comes with black and white wires. Separate and untwist the two wires and route them through the downrod. Loosen the two setscrews in the downrod support. Install downrod into coupler. Align the clevis pin holes in the downrod with the holes in the downrod support. (Figure 3)



4. Install the clevis pin, hairpin clip and tighten set screws. The clevis pin and hair pin clip must be properly installed to prevent the set screws from working loose. (Figure 4)

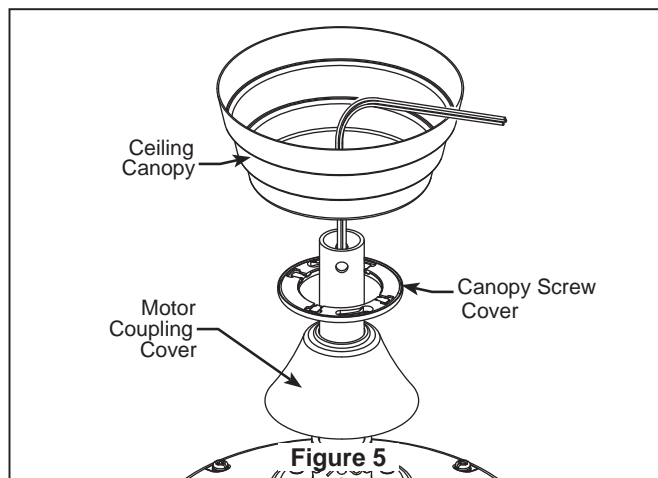


⚠ WARNING

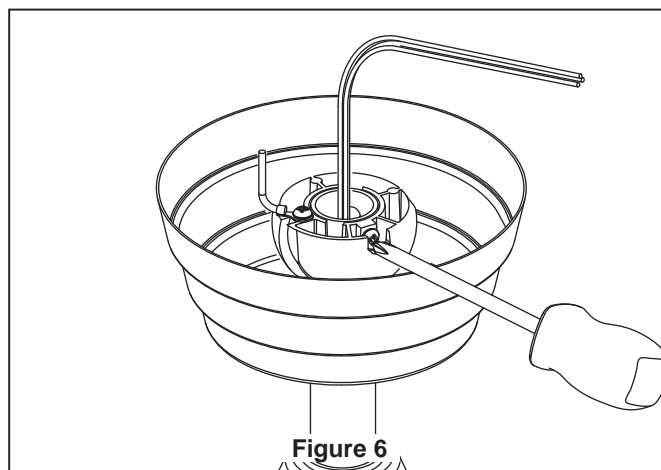
It is critical that the clevis screw in the downrod support is properly installed and the setscrews and nuts are securely tightened. Failure to verify that the clevis screw, nuts, hairpin clip and setscrews are properly installed could result in the fan falling.

How to Assemble Your Ceiling Fan (continued)

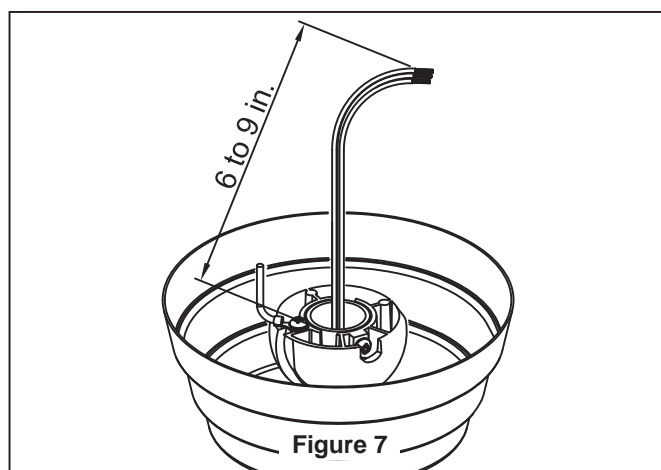
- 5.** Route the two 80 in. wires through motor coupling cover, canopy screw cover and ceiling canopy. (Figure 5)



- 6.** Reinstall the hanger ball on the downrod as follows. Route the two 80 in. wires through the hanger ball. Position the pin through the two holes in the downrod and align the hanger ball so the pin is captured in the groove in the top of the hanger ball. Pull the hanger ball up tight against the pin. Pull the hanger ball up tight against the pin. Securely tighten the set screw in the hanger ball. A loose set screw could create fan wobble. (Figure 6)



- 7.** Cut off excess lead wire approximately 6 to 9 inches above top of the top of the downrod. Strip insulation off 1/2 inch from the end of each lead wire. (Figure 7)



NOTE: All set screws must be checked, and retightened where necessary, before installation.

How to Hang Your Ceiling Fan

⚠ WARNING

To avoid possible electrical shock, be sure electricity is turned off at the main fuse box before hanging. (Figure 1)
NOTE: If you are not sure if the outlet box is grounded, contact a licensed electrician for advice, as it must be grounded for safe operation.

⚠ WARNING

The fan must be hung with at least 7' of clearance from floor to blades. (Figure 2)

⚠ WARNING

The outlet box must be securely anchored and capable of withstanding a load of at least 35 lbs. Hanger bracket must seat firmly against outlet box. If the outlet box is recessed, remove wallboard until bracket contacts box. If bracket and/or outlet box are not securely attached, the fan could wobble or fall.

1. Securely attach the hanger bracket to the outlet box using the outlet box screws and washers supplied with the outlet box (Figure 3).

NOTE: Outlet box screws pass through slotted holes of the hanger bracket (Figure 3).

2. Pull the electric wires in the outlet box down through the opening in the hanger bracket and bend wires up and out of the way so that the hanger ball will easily fit into the hanger bracket.

3. Carefully lift the fan and seat the downrod/hanger ball assembly on the hanger bracket that was just attached to the outlet box (Figure 4). Be sure the groove in the ball is lined up with tab on the hanger bracket (Figure 3).

4. After splicing, the wiring should be turned upward and pushed carefully up into the outlet box.

⚠ WARNING

Failure to seat tab in groove could cause damage to electrical wires and possible shock or fire hazard.

⚠ WARNING

To avoid possible shock, do not pinch wires between the downrod/hanger ball assembly and the hanger bracket.

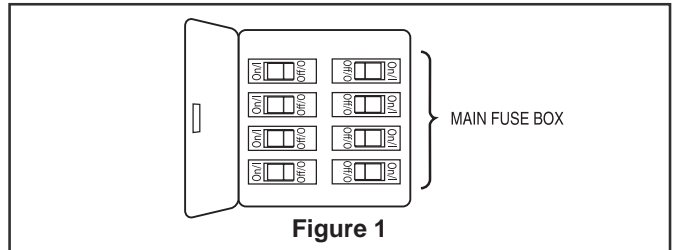


Figure 1

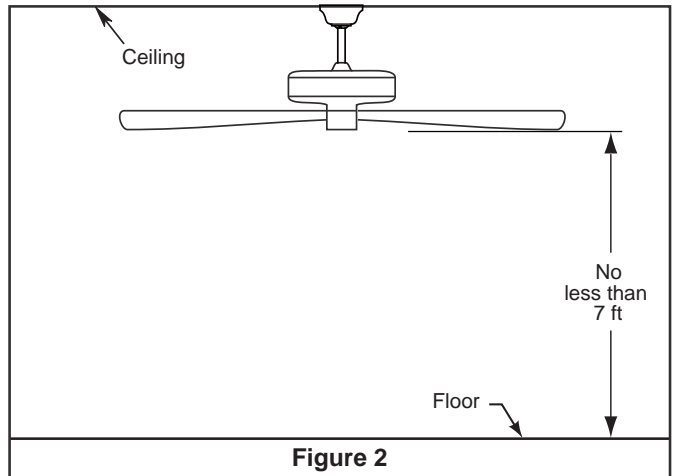


Figure 2

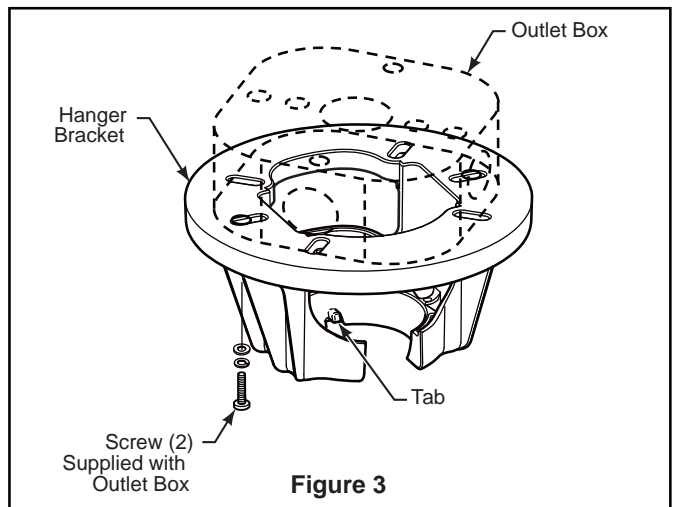


Figure 3

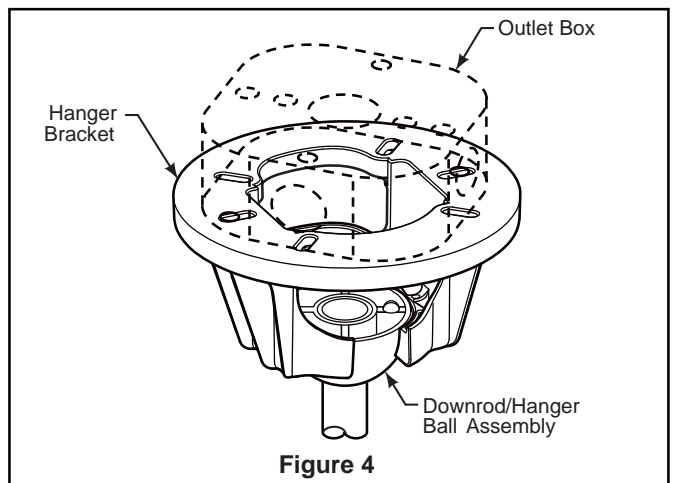


Figure 4

How to Wire Your Ceiling Fan

⚠ WARNING

To avoid possible electrical shock, be sure electricity is turned off at the main fuse box before hanging (Figure 1).

NOTE: If you are not sure if the outlet box is grounded, contact a licensed electrician for advice, as it must be grounded for safe operation.

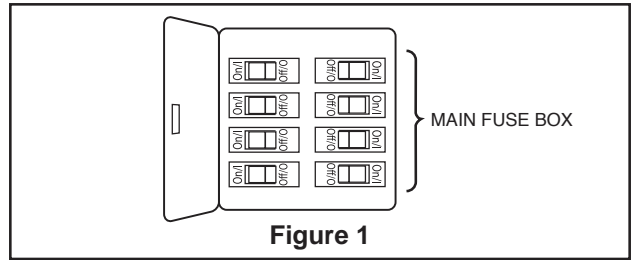


Figure 1

1. Connect the green grounding lead from the downrod/hanger ball assembly and the green grounding lead from the hanger bracket to the supply grounding conductor (this may be a bare wire or wire with green colored insulation). Securely connect wires with wire connector. Securely connect the white fan motor wire to the white supply (neutral) wire using wire connector. Securely connect the black fan motor wire to the black supply wire using wire connector (Figure 2).

NOTE: If you feel that you do not have enough electrical wiring knowledge or experience, have your fan installed by a licensed electrician.

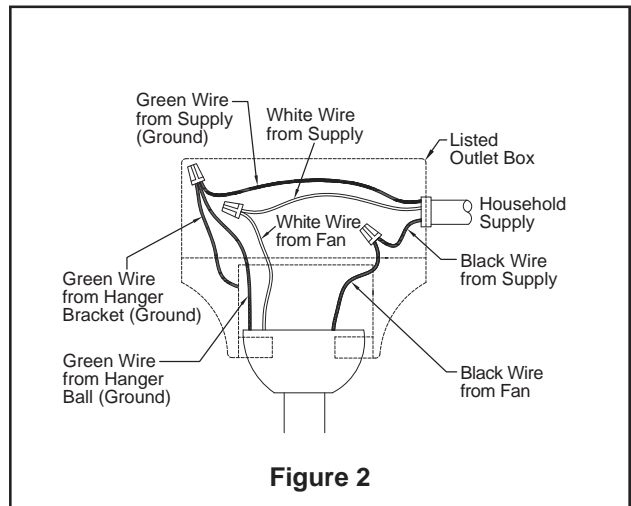
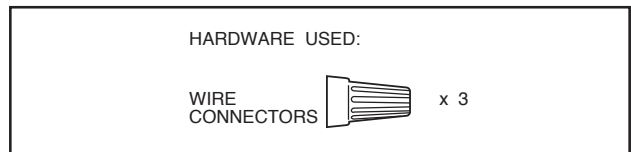


Figure 2

⚠ WARNING

Check to see that all connections are tight, including ground, and that no bare wire is visible at the wire connectors except for the ground wire. Do not operate fan until the blades are in place. Noise and motor damage could result.



2. After connections have been made, turn leads upward and carefully push leads into the outlet box, with the white and green leads to one side of the box and the black leads toward the other side. The wires should be spread apart with the grounded conductor and the equipment-grounding conductor on one side of the outlet box and the ungrounded conductor on the other side of the outlet box. (Figure 3)

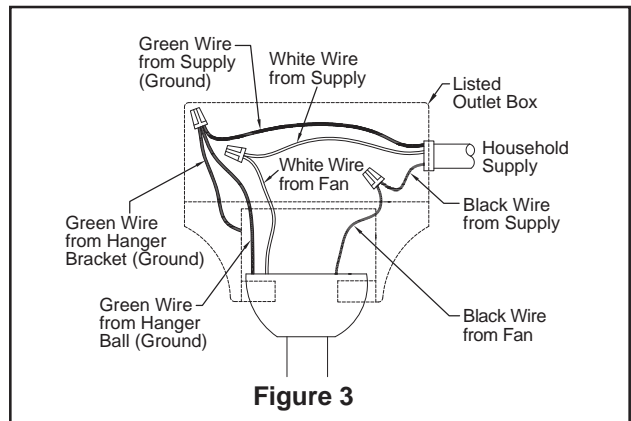


Figure 3

Installing the Canopy Housing

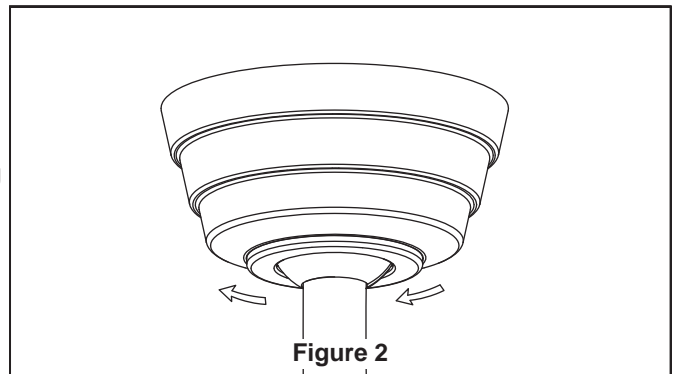
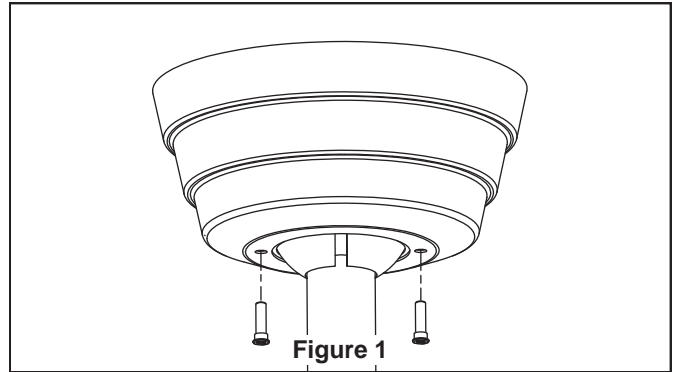
NOTE: This step is applicable **after** the necessary wiring is completed.

⚠ WARNING

To avoid possible fire or shock, make sure that the electrical wires are completely inside the canopy housing and not pinched between the housing and the ceiling.

1. Remove the two shoulder screws in the hanger bracket. Align holes in the canopy with holes in the hanger bracket and securely attach canopy using the two shoulder screws from the hanger bracket. (Figure 1)

2. Securely attach and tighten the canopy screw cover over the shoulder screws in the hanger bracket utilizing the keyslot twist-lock feature. (Figure 2)



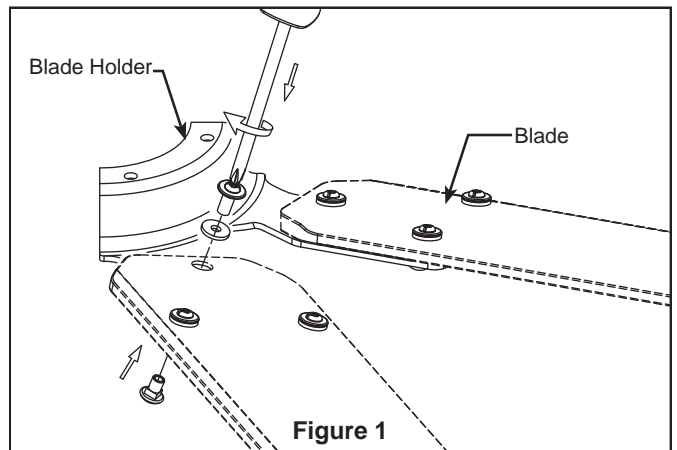
Assembling and Mounting the Fan Blades

1. Lay the side of the blade holder on a flat surface with the inside of the blade holder facing up. Assemble the blade to the blade holder with the carriage nuts, flat washer, and screws. Make sure that the blades are fully seated against the blade holders. Tighten screws with screwdriver provided, don't over-tighten. (Figure 1)

NOTE: You will find the fan blade set packed in its own carton and the blade holders and hardware bag in the fan box.

CAUTION

Do not connect fan blades until the fan is completely installed. Installing the fan with blades assembled may result in damage to the fan blades.



HARDWARE USED:

3/16"-24 SCREWS x 24

FLAT WASHER x 24

3/16"-24 CARRIAGE HEAD NUT x 24

Assembling and Mounting the Fan Blades (Continued)

2. Attach assembled blades and blade holders to the motor hub using the provided screws with lock washers. Make sure the screws securing the blade holders to the motor hub are tight and that the blade holders are properly seated. (Figure 2)

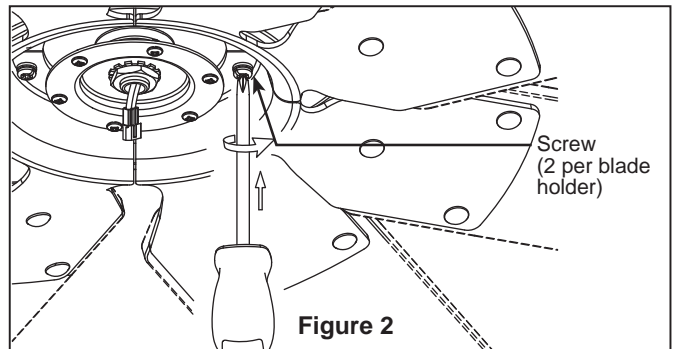
NOTE: Periodically check Blade Holder hardware and re-secure if necessary. (see Maintenance below)

WARNING

To reduce the risk of personal injury, do not bend the blade holders when installing, balancing the blades or cleaning the fan. Do not insert foreign objects in between the rotating blades.

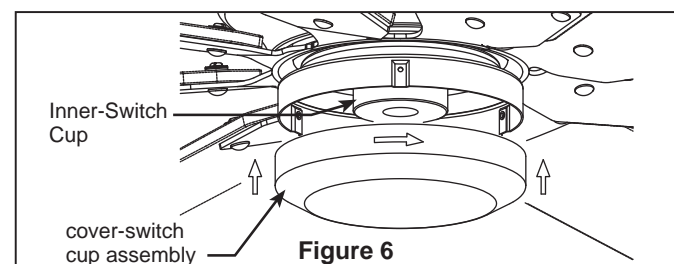
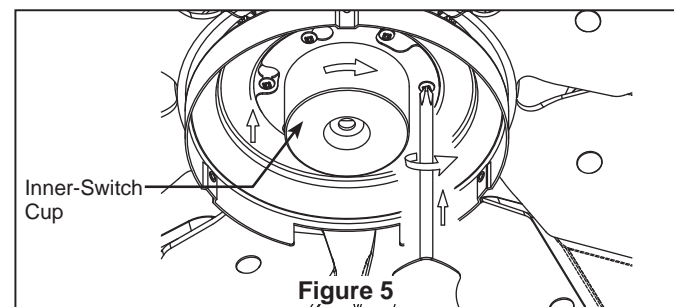
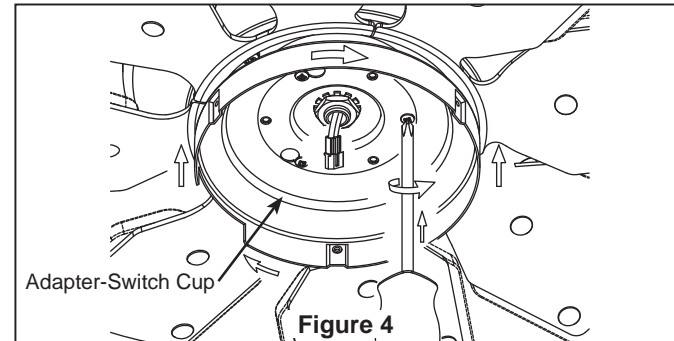
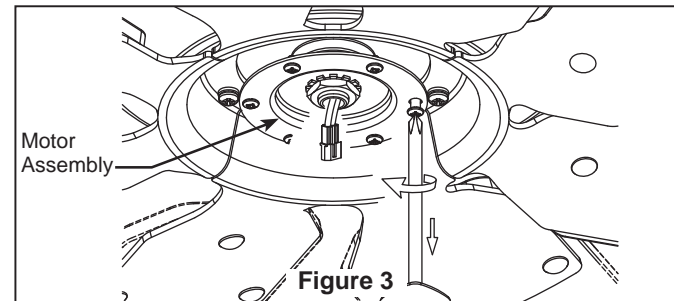
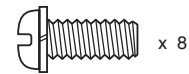
Switch Cup Assembly:

3. Remove the six screws in the motor assembly and retain the screws for reassembly in steps 4 and 5. (Figure 3)
4. Attach the adapter-switch cup to the support flange using three of the previously removed six screws and fully tighten. (Figure 4)
5. Attach the inner-switch cup to the support flange using the remaining three screws and fully tighten. (Figure 5)
6. Assemble the cover-switch cup assembly to the inner-switch cup by twisting in a clockwise direction. (Figure 6)



HARDWARE USED:

1/4"-20
SCREWS



How to Operate Your Ceiling Fan

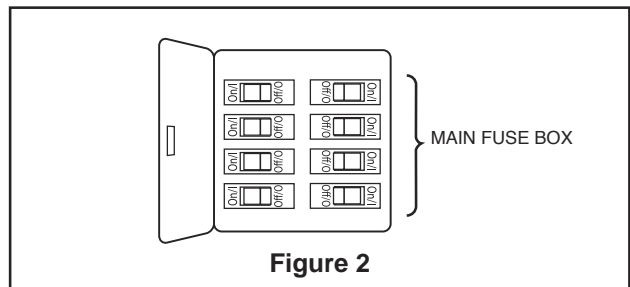
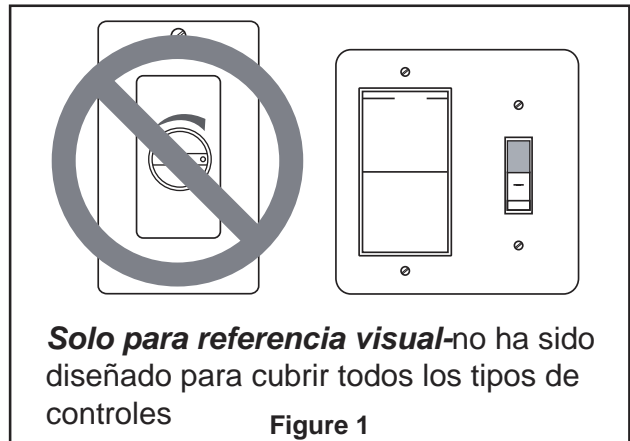
- 1. IMPORTANT:** Using a full range dimmer switch (not included) to control fan speed will damage the fan. To reduce the risk of fire or electrical shock, do not use a full range dimmer switch to control the fan speed. (Figure 1)
- 2.** Restore electrical power to the outlet box by turning the electricity on at the main fuse box. (Figure 2)

⚠ WARNING

Check to see that all connections are tight, including ground, and that no bare wire is visible at the wire connectors, except for the ground wire. Do not operate fan until the blades are in place. Noise and fan damage could result.

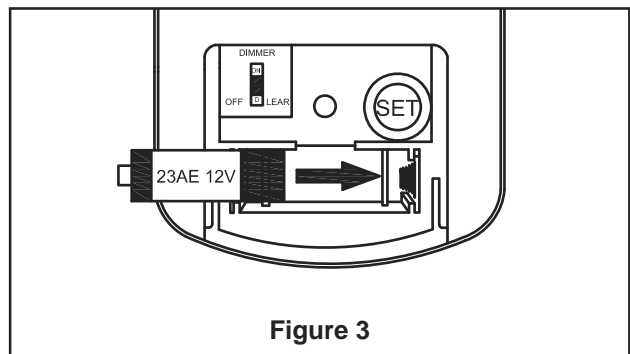
NOTE: Receiver in controllers system features an automatic learning function. There are no frequency switches on the receiver unit. The receiver will automatically scan the frequency from the hand held control if an changes are made. the frequency settings should be changed only in the case of interference or if multiple ceiling fans with the same type of control system are installed in the same structure.

- 3.** To make fan operational, install 23A/12V battery (included) in hand-held remote transmitter, with fan power off. Then follow the remote code setting process. (If not used for long periods of time, remove battery to prevent damage to transmitter). Store the remote away from excessive heat or humidly. (Figure 3)
- 4.** If you have multiple fans and want to program all fans to one handheld control, connect all fans to their power supply in the ceiling and follow Step 1 of the remote control set up process. Each fan needs to be no more than 30 feet from the handheld control that you would like to program. Please note the wall switch that controls the power to your fan(s) should be in the off position until you are ready to program your handheld remote(s).
- 5.** If you have multiple fans and want to program each fan to separate handheld controls, connect one fan at a time to their power supply in the ceiling and follow Step 1 of the remote control set up process below. Before you connect the second fan to its power supply in the ceiling, you must disconnect the first fan that was wired and programmed from the power supply in the ceiling. Repeat these steps for each fan that you would like to program to a separate handheld remote. Please note that the wall switch that controls the power to your fan(s) should be in the off position until you are ready to program your handheld remote(s).



⚠ WARNING

Do not operate this fan with a variable (Rheostat) wall controller or dimmer switch. Doing so could result in damage to the ceiling fan's remote control unit.



CAUTION

If you are not expecting to use the remote for a long period of time, remove the battery to prevent damage to the remote. Be sure to store the remote away from excess heat or humidity.

How to Operate Your Ceiling Fan (continued)

6. Follow these steps to pair your remote control to your fan. (Figure 4)

- 1) After installing and wiring the unit, restore power to your fan by ensuring that the breaker and wall switch that controls the power supply is moved to the on position, press and hold the "SET" button inside of the battery compartment of the handheld remote control for 1-5 seconds.
- 2) You must press the "SET" button within 60 seconds of restoring power to the fan.
- 3) When restoring power to your fan at the wall switch and breaker, DO NOT press any button(s) on the handheld remote control before pressing the "SET" button, otherwise the fan will fail the learn procedure.
- 4) If you press any button(s) on the handheld remote control before pressing the "SET" button, please turn the wall switch that controls the power to the fan to the off position then on again, and start the process beginning with Step 1 above.
- 5) When you press the "SET" button the fan will start to run beginning the control set up process.
- 6) DO NOT press any button(s) after pressing the SET button while the fan is programming or it will fail to program.

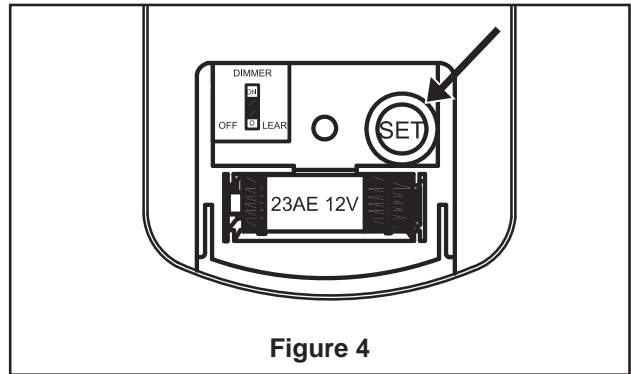


Figure 4

- 7) The fan will run in both directions (forward and reverse) for approximately 5 minutes.
- 8) When the fan stops running after approximately 5 minutes, that means that the handheld remote control and speed set up process is complete.
- 9) The fan is now ready for normal use.

7. The remote buttons instruct as below:

- Fan speed:

I = minimum speed	II = low speed
III = medium low speed	IV = medium speed
V = medium high speed	VI = high speed
- ■: Turns the fan off.
- ↻: Controls fan direction - forward and reverse.
- ⚡: Controls light-Infinite light levels are available by holding the light on/off button (Figure 5).

NOTE: The light kit is optional, not included in the fan box.

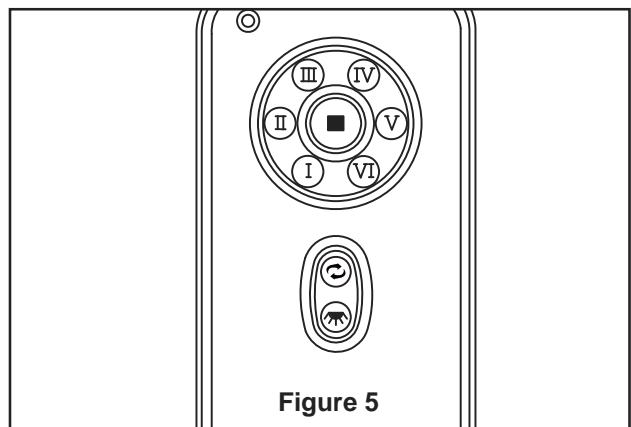


Figure 5

8. "D" and "ON" dip switch:

For this fan, switch should be in the "ON" position, allowing for dimming of the light. (Figure 6)

The receiver provides the following protective function:
 Lock position: The DC motor has a built-in safety feature against blade obstruction during operation. If something obstructs the fan blades the motor will stop operating after 30 seconds of interruption. Please remove obstacles and reset.

Over 80W protection: When the receiver detects motor power consumption which is greater than 80W, the receiver power will shutdown and fan operation will cease. Disconnect the power supply and after 5 seconds return power on to the fan.

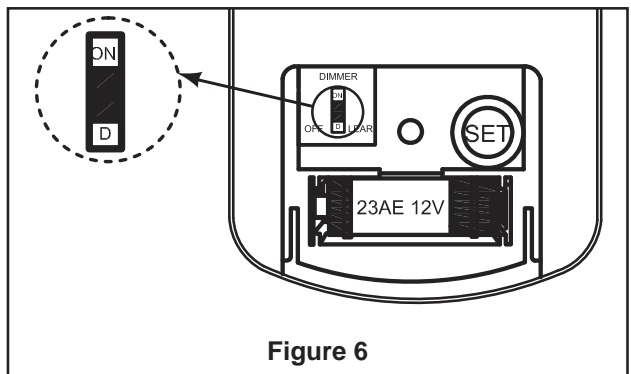
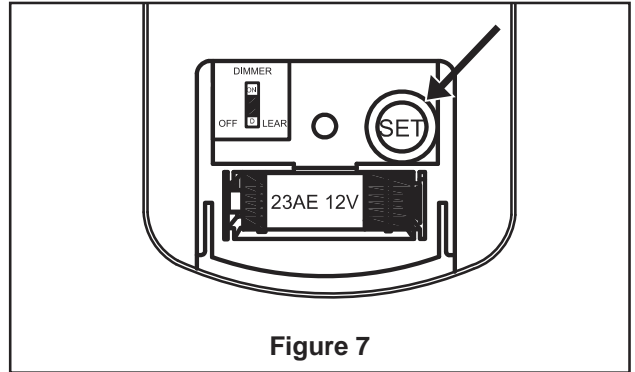


Figure 6

How to Operate Your Ceiling Fan (continued)

9. If you have encountered an issue during the set up process, you can follow the below procedure to clean the memory code of your handheld remote: (Figure 7)

- 1) Turn the wall switch that controls the power to the fan to the off position, or the breaker that controls the power to the fan to the off position.
- 2) Turn the wall switch that controls the power to the fan to the on position, or the breaker that controls the power to the fan to the on position.
- 3) Press the "SET" button inside of the battery compartment of the handheld remote control WITHIN 60 seconds of restoring power to the fan.
- 4) Pressing the "SET" button for 5 seconds will indicate if the fan is programmed to the remote control in hand.
- 5) The light will turn on and off twice, if there is no light, the fan will backward and forward only – this indicates that the fan has learned the code of the handheld you are holding.
- 6) Pressing the "SET" button for 10 seconds or more will start the code clearing process. The fan will backward and forward, the light will turn on and off twice if the fan has a light.
- 7) This will indicate that the fans and handheld remotes have cleared their memory codes.
- 8) Please note in order for the memory codes to be cleared, you must hold the set button for 10 seconds or longer.



Maintenance

1. Periodic cleaning of your new ceiling fan is the only maintenance that is needed. When cleaning, use only a soft brush or lint free cloth to avoid scratching the finish. Abrasive cleaning agents are not required and should be avoided to prevent damage to finish.

CAUTION

Do not use solvents when cleaning your ceiling fan. It could damage the motor or the blades and create the possibility of electrical shock.

RECOMENDED: Periodically check that the blade holders to motor hub screws are secure and tight.

How to Clean Your Ceiling Fan Blades

Periodic light dusting of the blades is recommended. A feather duster will work best.

Avoid using water, cleansers, or harsh rags, which can warp and ruin the blades.

Parts List

Model #MAD7912**

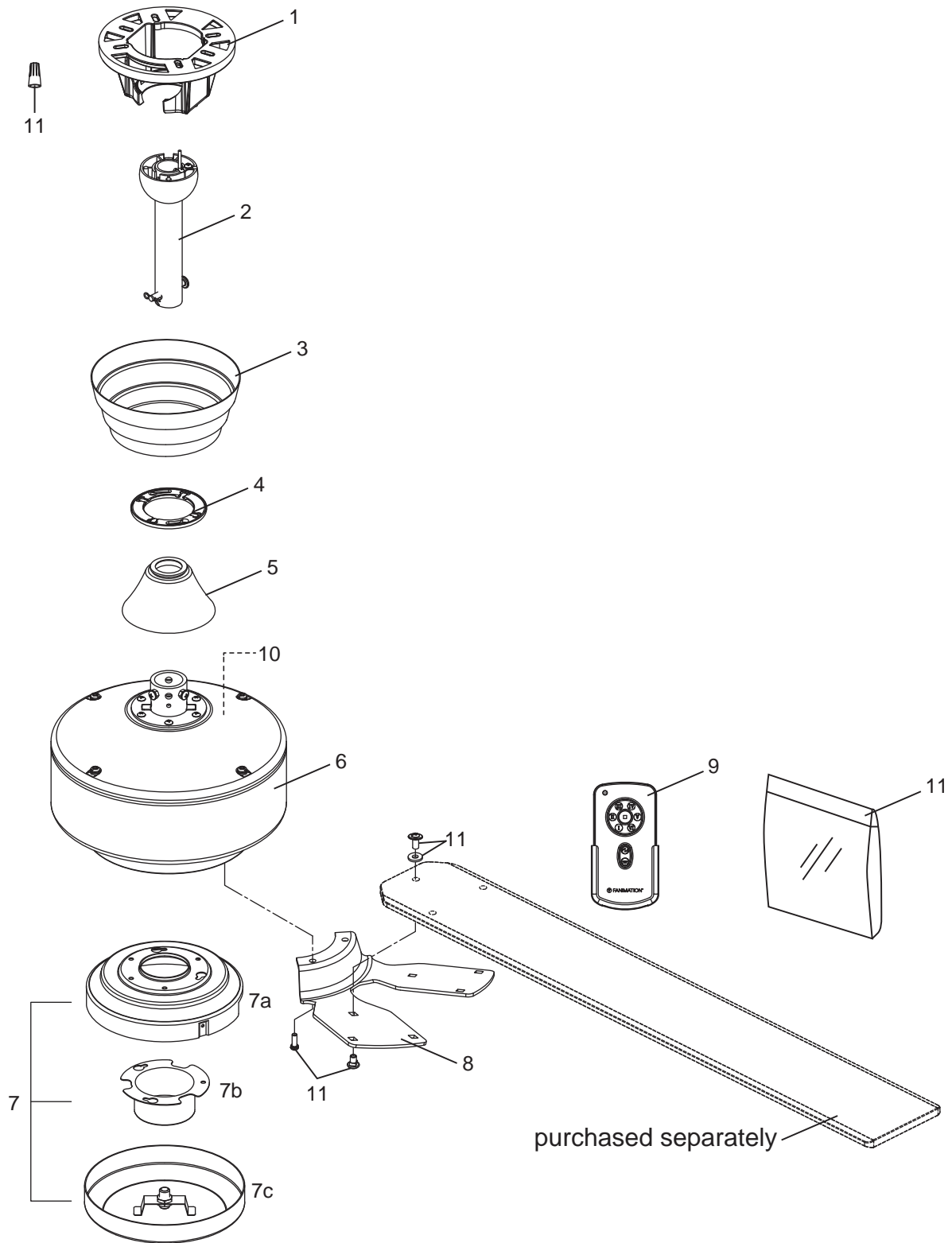
Ref.#	Description	Part #
1	Hanger Bracket Assembly	AP255BL
2	Hanger Ball/Downrod Assembly	ADR1-6**
3	Canopy	PG165**
4	Canopy Screw Cover Assembly	AP260**
5	Motor Coupling Cover Assembly	AP1115**
6	Fan Motor Assembly	AMA7912**
7	Switch Cup Assembly	AP791201**
7a	Adapter Switch Cup	P791201**
7b	Inner-Switch Cup	P791203BL
7c	Cover-Switch Cup Assembly	AP791202**
8	Blade Holder Set	AP880001**
9	Hand Held Remote	TR39
10	Receiver	RC165M-7912PG
11	<i>Hardware Bag Containing:</i>	HDWMAD7912**
	Balance Kit (BALKT)	
	Wire Connectors (4)	
	<i>Blade Holder Mounting Hardware Bag Containing:</i>	
	1/4"-20 Pan Head Screws, with Lock Washers (9)	
	<i>Blade Mounting Hardware Bag Containing:</i>	
	3/16"-24 Carriage Head Nuts (25)	
	3/16"-24 Washer Head Screws (25)	
	Flat Washer (25)	
Phillips Screwdriver, 4"		

Refer to fan model number located on down rod support

Before discarding packaging materials, be certain all parts have been removed

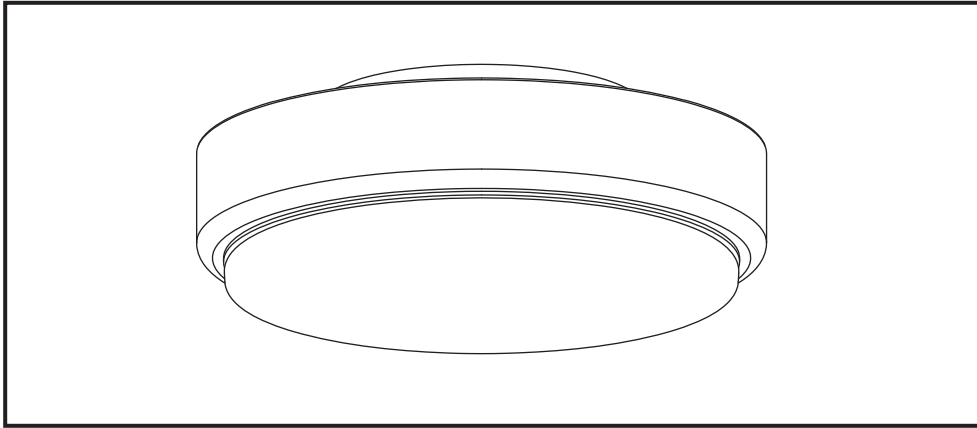
<h3>How To Order Parts</h3> <p>When ordering repair parts, always give the following information:</p> <ul style="list-style-type: none"> • Part Number • Part Description • Fan Model Number <p>Contact your retail store for repair parts.</p>
--

LEVON™ CUSTOM
MAD7912**
Exploded-View Illustration



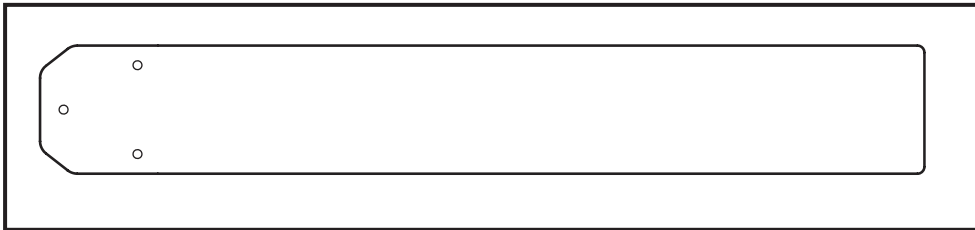
NOTE: The illustration shown is not to scale or its actual parts configuration may vary

Optional Light Kit Model # LK7912**



Optional Fan Blade

1	Blade Set	BPW7912** BPW7913** BPW7914** B7912** B7913** B7914**
---	-----------	--



NOTE: The illustration shown is not to scale or its actual configuration may vary.
Before discarding packaging materials, be certain all parts have been removed

How To Order Parts
When ordering repair parts, always give the following information: <ul style="list-style-type: none">• Part Number• Part Description• Fan Model Number Contact your retail store for repair parts.

Trouble Shooting

⚠ WARNING

For your own safety turn off power at fuse box or circuit breaker before trouble shooting your fan.

Trouble	Probable Cause	Suggested Remedy
1. FAN WILL NOT START	<ol style="list-style-type: none"> 1. Fuse or circuit breaker blown. 2. Loose power line connections to the fan, or loose switch wire connections in the switch housing. 3. Dead battery in remote control. 	<ol style="list-style-type: none"> 1. Check main and branch circuit fuses or circuit breakers. 2. Check line wire connections to fan and switch wire connections in the switch housings. CAUTION: Make sure main power is turned off ! 3. Replace with fresh battery.
2. FAN SOUNDS NOISY	<ol style="list-style-type: none"> 1. Blades not attached to fan. 2. Loose screws in motor housing. 3. Screws securing fan blade holders to motor hub are loose. 4. Wire connectors inside housing rattling. 5. Motor noise caused by solid state variable speed control. 6. Screws holding blades to blade holders are loose. 	<ol style="list-style-type: none"> 1. Attach blades to fan before operating. 2. Check to make sure all screws in motor housing are snug (not over-tight). 3. Check to make sure the screws which attach the fan blade holders to the motor hub are tight. 4. Check to make sure wire connectors in switch housing are not rattling against each other or against the interior wall of the switch housing. CAUTION: Make sure main power is turned off ! 5. Some fan motors are sensitive to signals from solid-state variable speed controls. Solid-state controls are not recommended, choose an alternative control method. 6. Tighten screws securely.
3. FAN WOBBLER EXCESSIVELY	<ol style="list-style-type: none"> 1. Setscrew and nut in downrod support is loose. 2. Setscrew in downrod/hanger ball assembly is loose. 3. Screws securing fan blade holders to motor hub are loose. 4. Blade holders not seated properly. 5. Hanger bracket and/or ceiling outlet box is not securely fastened. 6. Fan blades out of balance. 	<ol style="list-style-type: none"> 1. Tighten both setscrews and nuts securely in downrod support. 2. Tighten the setscrew in the downrod/hanger ball assembly. 3. Check to be sure screws which attach the fan blade holders to the motor hub are tight. 4. Check to be sure the fan blade holders seat firmly and uniformly to the surface of the motor housing. If holders are seated incorrectly, loosen the screws and retighten. 5. Tighten the hanger bracket screws to the outlet box, and secure outlet box. 6. Interchanging position of fan blades can redistribute the weight and result in a smoother operation. For example, exchange blades in positions 1 and 3 or 1 and 4. If this does not improve wobble, exchange 2 and 4 or 2 and 5.
4. NOT ENOUGH AIR MOVEMENT		<ol style="list-style-type: none"> 1. If possible, consider using a longer downrod. (not included, you can buy the longer downrod from fanimation.com).



FANIMATION®
SHOWROOM COLLECTION

10983 Bennett Parkway
Zionsville, IN 46077
Phone: 888-567-2055
Outside U.S.: 317-733-4113
FAX: 866-482-5215
FANIMATION.COM

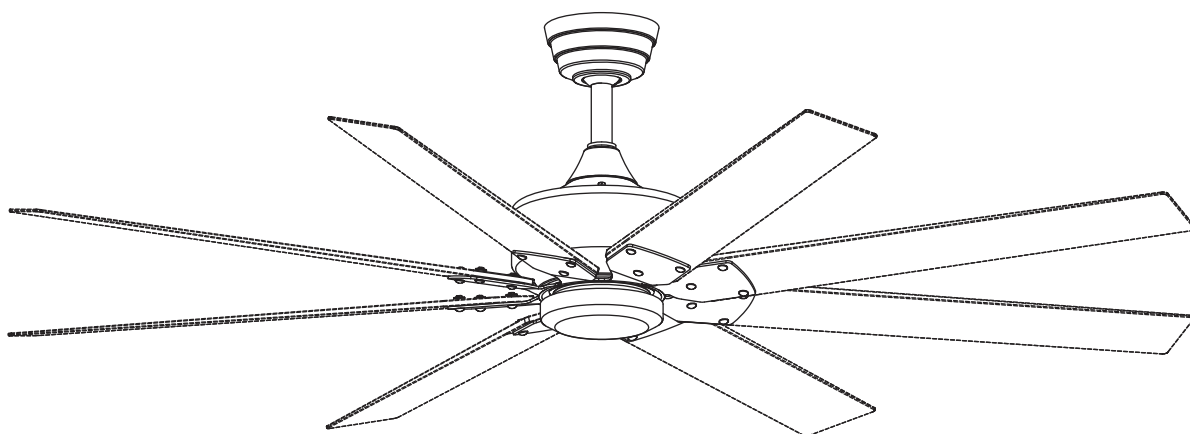
2018/03 V.01
Copyright 2018 Fanimation



FANIMATION®
SHOWROOM COLLECTION

VENTILADOR DE TECHO LEVON™ CUSTOM

MODELO #MAD7912**



Adjunte su recibo AQUÍ
LEA Y GUARDE ESTAS INSTRUCCIONES



Número de serie _____ Fecha de compra _____ Peso neto 8.6 kg (18.96 lbs)



Preguntas, problemas, piezas faltantes? Antes de volver a la tienda, llame a nuestro Departamento de Servicio al Cliente al 1-888-567-2055, 8 a.m. - 5 pm, hora del Este, de lunes - viernes.

Instrucciones de seguridad importantes

ADVERTENCIA: Siga estas instrucciones para prevenir incendios, descargas eléctricas y lesiones personales graves.

1. Lea el manual del propietario y la información de seguridad antes de instalar su nuevo ventilador. Observe los diagramas de ensamblaje adjuntos.
2. Antes de llevar a cabo el mantenimiento o la limpieza de la unidad, desconecte la electricidad en el panel de servicio y bloquee los medios de desconexión del mismo para evitar que se active accidentalmente. Si no se pueden bloquear los medios de desconexión del servicio, coloque un dispositivo de advertencia, como una etiqueta, en el panel de servicio.
3. Tenga cuidado con la estructura y las aspas del ventilador cuando limpie, pinte o trabaje cerca del mismo. Desconecte siempre la electricidad del ventilador de techo antes de llevar a cabo el mantenimiento.
4. No coloque nada en las aspas del ventilador cuando éste se encuentra en funcionamiento.
5. No accione el conmutador inversor hasta que las aspas del ventilador se hayan detenido por completo.
6. El dispositivo no ha sido diseñado para ser utilizado por niños o personas enfermas sin supervisión. Los niños deben ser supervisados para asegurarse de que no juegan con el dispositivo.

Instrucciones de seguridad adicionales

1. Para evitar posibles descargas eléctricas, asegúrese de que la electricidad esté desconectada en la caja de fusibles antes de realizar la instalación eléctrica, y no haga funcionar el ventilador sin las aspas.
2. Todos los procedimientos de conexión eléctrica e instalación deben cumplir con los Códigos eléctricos nacionales (ANSI/NFPA 70) y Códigos locales. El ventilador de techo debe estar conectado a tierra a fin de prevenir posibles descargas eléctricas. La instalación eléctrica debe ser llevada a cabo o aprobada por un electricista autorizado.
3. Se debe fijar bien la base del ventilador; ésta debe ser capaz de soportar sin problemas al menos 15,9 kg (35 lb). Consulte la página 25 del manual del propietario para ver los requisitos de soporte. Si tiene dudas, consulte a un electricista calificado.
4. Las aspas del ventilador deben instalarse por lo menos a 2 m (7 pies) del suelo, a fin de evitar un contacto accidental con las mismas.
5. Siga las recomendaciones sobre el método correcto de instalación eléctrica de su ventilador de techo. Si no posee la experiencia o los conocimientos eléctricos adecuados, contrate a un electricista autorizado para instalar el ventilador.
6. Apto para usar con controles de velocidad de estado sólido.
7. Este ventilador es ideal para lugares secos y húmedos.
8. En lo que respecta a las conexiones de suministro, si el conductor del ventilador está identificado como conductor con conexión a tierra, se le debe conectar a un suministro de electricidad con conductor de puesta a tierra. Si el conductor del ventilador está identificado como conductor que no es de puesta a tierra, se le debe conectar a un suministro de electricidad con conductor sin puesta a tierra. Si el conductor del ventilador está identificado para equipos de puesta a tierra, se le debe conectar al conductor de equipos de puesta a tierra.

ADVERTENCIA: PARA REDUCIR EL RIESGO DE DESCARGAS ELÉCTRICAS, ESTE VENTILADOR SE DEBE INSTALAR CON UN CONTROL/INTERRUPTOR DE PARED AISLADO.

ADVERTENCIA: Este producto está diseñado para ser usado sólo con las piezas suministradas o los accesorios indicados específicamente para el mismo. Si utiliza piezas o accesorios que no están indicados para su uso con este producto, podría sufrir lesiones personales o dañar el ventilador. **ADVERTENCIA:** Este producto está diseñado para ser usado sólo con las piezas suministradas o los accesorios indicados específicamente para el mismo. Si utiliza piezas o accesorios que no están indicados para su uso con este producto, podría sufrir lesiones personales o dañar el ventilador.

ADVERTENCIA: Para reducir el riesgo de lesiones personales, no doble los soportes de las aspas (borde o soporte de aspas) al instalar los soportes, balancear las aspas o limpiar el ventilador. No coloque objetos extraños entre las aspas del ventilador en funcionamiento.

ADVERTENCIA: No utilice este ventilador con un controlador variable de pared (Rheostat) o un regulador de intensidad. Si lo hiciera podría dañar la unidad del mando a distancia del ventilador de techo.

(1) Este equipo no causará interferencias perjudiciales y (2) este equipo tolerará cualquier interferencia recibida, incluidas las interferencias que puedan provocar un funcionamiento no deseado. Si el radiador intencional puede ser clasificado como un dispositivo digital de clase B o un periférico del ordenador, entonces se deberán incluir los siguientes o equivalentes:

Nota: Tras someterlo a las pruebas correspondientes, se ha determinado que este equipo cumple con los límites establecidos para dispositivos digitales de Clase B de conformidad con la parte 15 de la Normativa FCC. Estos límites se han establecido con el objetivo de aportar una protección razonable contra interferencias perjudiciales cuando el equipo se utiliza en el hogar. Este equipo genera, utiliza y puede emitir energía de radiofrecuencia y, a menos que se instale y se utilice de acuerdo con el manual de instrucciones, puede provocar interferencias perjudiciales en las comunicaciones por radio y televisión. Si el equipo produce interferencias perjudiciales en la recepción de radio o televisión, lo cual puede probarse encendiendo y apagando el equipo, se recomienda al usuario corregir dichas interferencias tomando una o varias de las siguientes medidas:

- Modificar la orientación o ubicación de la antena de recepción;
- Aumentar la separación entre el equipo y el receptor;
- Conectar el equipo a una toma de corriente o circuito diferente al del receptor;

Consulte al distribuidor o a un técnico especialista de radio o TV para obtener más ayuda.

Nota: Para un dispositivo digital de clase A, la declaración de 15. 105(a) debe ser incluida cuando sea apropiada para el dispositivo en cuestión.

GARANTÍA LIMITADA DE POR VIDA

Se extiende al comprador original de un ventilador Fanimation

1. **GARANTÍA LIMITADA DE POR VIDA DEL MOTOR** - Si se produjera una falla en alguna de las partes del motor de su ventilador debido a un defecto en los materiales o en la fabricación durante el tiempo de vida del comprador original, Fanimation proporcionará la pieza de repuesto sin cargo una vez que el ventilador defectuoso sea devuelto a nuestro centro de servicios nacional. Se requiere comprobante de venta. El cliente se hará responsable de todos los gastos de remoción o reinstalación y envío del producto para reparaciones o sustitución.
2. **GARANTÍA DE MANO DE OBRA DEL MOTOR POR UN AÑO** - Si el motor de su ventilador fallara antes de cumplirse un año a partir del momento de su compra original debido a defectos en los materiales o en la fabricación, se le efectuará la reparación del mismo sin cargo en nuestro centro de servicios nacional. El comprador se hará responsable de los gastos de mano de obra luego del período de un año. El cliente se hará responsable de todos los gastos de remoción o reinstalación y envío del producto para reparaciones o sustitución.
3. Si otra pieza del ventilador fallara dentro del período de un año a partir de la fecha de compra original debido a un defecto en los materiales o en la fabricación, repararemos o sustituiremos, según creamos conveniente, la pieza defectuosa sin cargo alguno en nuestro centro de servicios nacional.
4. Si otra pieza del kit de luz fallara dentro del período de cinco años a partir de la fecha de compra original debido a un defecto en los materiales o en la fabricación, repararemos o sustituiremos, según creamos conveniente, la pieza defectuosa sin cargo alguno en nuestro centro de servicios nacional.
5. Debido a las diversas condiciones climáticas, esta garantía no cubre cambios en la terminación, incluidos oxidación, corrosión, falta de brillo o peladuras.
6. Esta garantía es nula y no se aplica a daños por instalación incorrecta, negligencia, accidentes, uso indebido, exposición al calor o a la humedad en exceso, o como resultado de cualquier modificación realizada al producto original.

GARANTÍA LIMITADA DE POR VIDA

Se extiende al comprador original de un ventilador Fanimation

7. Todos los gastos de remoción y reinstalación del ventilador son responsabilidad exclusiva del propietario, y no de la tienda que vendió el ventilador ni de Fanimation.
8. Fanimation se reserva el derecho de modificar o discontinuar un producto en cualquier momento, o sustituir cualquier pieza según lo establecido por esta garantía.
9. En ningún caso se podrá devolver un ventilador sin previa autorización por parte de Fanimation. Las devoluciones autorizadas deberán ir acompañadas del recibo de venta y deberán enviarse a Fanimation, previo pago del flete. El ventilador que se devuelva deberá estar embalado en forma adecuada a fin de evitar daños durante el transporte. Fanimation no se hará responsable de los daños que resulten del embalaje incorrecto del producto.
10. Se entiende que las reparaciones y las sustituciones son el único recurso disponible de Fanimation. No existe ninguna otra garantía expresa o implícita. Por la presente, Fanimation niega todas las garantías implícitas, que incluyen, entre otras, la comerciabilidad y la aptitud para determinado fin hasta donde la ley lo permita. Algunos estados no permiten limitaciones sobre las garantías implícitas. Fanimation no se hará responsable por daños accidentales, resultantes o especiales derivados del uso o el rendimiento del producto o en conjunción con éste, excepto en los casos en los que la ley así lo disponga. Esta garantía le otorga derechos legales especiales y es posible que también goce de otros derechos que pueden variar según el estado.
11. Es normal que se produzca un cierto movimiento oscilante y esto no debe considerarse un problema o defecto.

Tabla de contenidos

Instrucciones para el desempaque.....	24	Cómo utilizar su ventilador de techo	33
Uso eficiente de la energía en ventiladores de techo.....	25	Mantenimiento	35
Requisitos eléctricos y estructurales.....	25	Cómo limpiar las palas de su ventilador de techo	35
Cómo ensamblar el ventilador de techo	27	Lista de piezas	36
Cómo colgar el ventilador de techo	29	Ilustración del despiece.....	37
Cómo realizar la instalación eléctrica del ventilador de techo.....	30	Kit de iluminación opcional	38
Instalación de la cubierta del capuchón	31	Paquete de las ocho palas opcional	38
Ensamblaje y montaje de las aspas del ventilador y la caja del interruptor.....	31	Solución de problemas	39

Este manual está diseñado para facilitar al máximo el ensamblaje, la instalación, el funcionamiento y el mantenimiento de su ventilador de techo.

Herramientas necesarias para el ensamblaje

- Destornillador Phillips
- Escalera de tijera
- Destornillador de ¼"
- Pelacables
- Tres conectores de cables (incluidos)

Materiales

La caja de distribución eléctrica y los conectores de la caja deben ser del tipo requerido por el código local. El cable más pequeño debe ser un cable de tres conductores (de dos conductores con conexión a tierra) del siguiente tamaño:

longitud del cable instalado	tamaño del cable según el A.W.G. (Calibre de Alambre Estadounidense)
hasta 15,2 m (50 pies)	14
de 15,2 a 30,5 m (50 a 100 pies)	12

NOTA: coloque las piezas de las bolsas de piezas individuales en un contenedor pequeño para evitar que se extravíen. Si faltan piezas, póngase en contacto con su proveedor local.

⚠ ADVERTENCIA

Antes de ensamblar el ventilador de techo, consulte la sección sobre el método correcto de instalación eléctrica del ventilador (página 30). Si siente que no posee la experiencia o los conocimientos eléctricos necesarios, contrate a un electricista autorizado para instalar el ventilador.

Instrucciones para el desempaque

Para su comodidad, marque cada uno de los pasos. A medida que completa cada paso, coloque una marca de verificación. Con esto se asegurará de completar todos los pasos y podrá saber desde dónde retomar si fuera interrumpido.

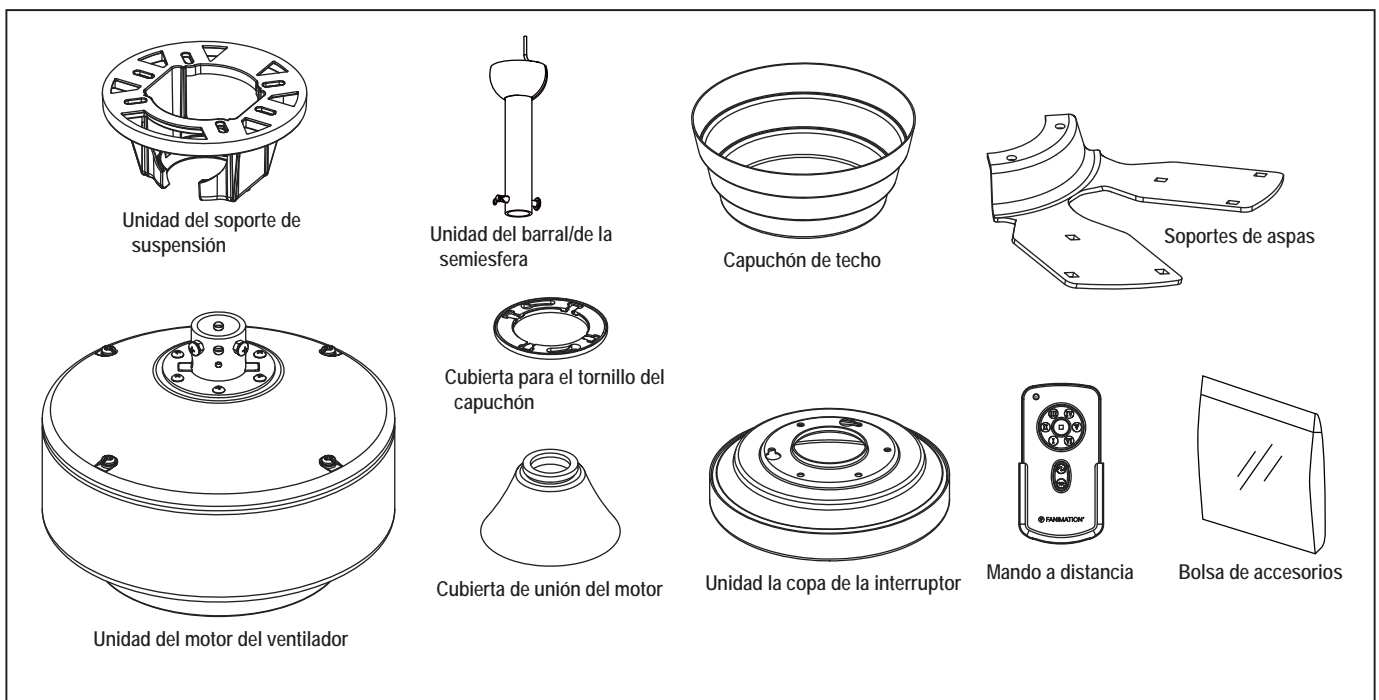
⚠ ADVERTENCIA

No instale ni utilice el ventilador si falta alguna pieza o si hay piezas dañadas. Este producto está diseñado para ser usado sólo con las piezas suministradas o los accesorios indicados por Fanimation específicamente para el mismo. La sustitución de piezas o accesorios no designados por Fanimation para usar con este producto podría ocasionar lesiones personales o daños en el ventilador. Póngase en contacto con su tienda si faltan piezas o hay piezas dañadas.

- Unidad del motor del ventilador
- Unidad del soporte de suspensión
- Unidad del barral/de la semiesfera
- Capuchón de techo
- Cubierta de unión del motor
- Cubierta para el tornillo del capuchón
- Unidad la copa de la interruptor
- Soportes de aspas
- Mando a distancia
- Bolsas de accesorios:
 - Tornillos con arandelas de seguridad de 1/4"-20 (soporte de aspas a buje del motor)
 - 3/16"-24 Tuerca de cabeza hexagonal
 - 3/16"-24 Tornillo de cabeza arandela (aspa a soporte de aspas)
 - Conectores de cables
 - Arandela plana
 - Destornillador Phillips de 4"
 - Kit de balanceo

1. Verifique que haya recibido las siguientes piezas:

NOTA: Si no está seguro de la descripción de una pieza, consulte la ilustración del despiece.



Uso eficiente de la energía en ventiladores de techo

El nivel de rendimiento y ahorro de energía de los ventiladores de techo dependen de su correcta instalación y uso. A continuación le presentamos algunas sugerencias para asegurar un rendimiento eficiente del producto.

Selección del lugar de montaje adecuado

Los ventiladores de techo se deben instalar en el centro de la habitación, a 2,13 m (7 pies) de altura del piso hasta la cuchilla como mínimo y 0,5m (18 pulgadas) de las paredes hasta la cuchilla. Si la altura del techo lo permite, instale el ventilador a 2,5m (8-9 pies) de altura del piso hasta la cuchilla para un flujo de aire óptimo. Consulte en su tienda minorista de Fanimation para obtener accesorios de montaje opcionales.

Apague el ventilador cuando no se encuentre en la habitación

Los ventiladores son para refrescar a la gente, no a las habitaciones. Si la habitación está vacía, apague el ventilador de techo para ahorrar energía.

Uso del ventilador de techo todo el año

En verano: Use el ventilador de techo en sentido contrario a las agujas del reloj. El flujo de aire que produce el ventilador creará un efecto frío del aire que lo refrescará más. Seleccione una velocidad que le proporcione una brisa confortable. Las velocidades más bajas consumen menos energía.

En invierno: Invierta el motor y haga funcionar el ventilador de techo a velocidad baja y en el sentido de las agujas del reloj. Esto produce una suave corriente ascendente, que obliga al aire cálido que se acumula cerca del techo a bajar al espacio ocupado. No olvide ajustar el termostato cuando utilice el ventilador de techo. Con este sencillo paso puede ahorrar energía adicional y dinero.

Requisitos eléctricos y estructurales

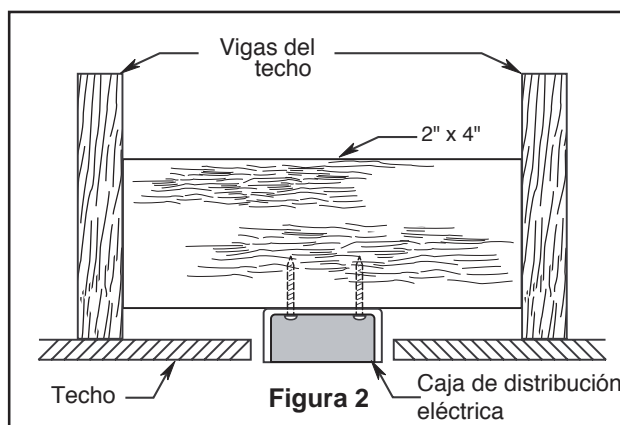
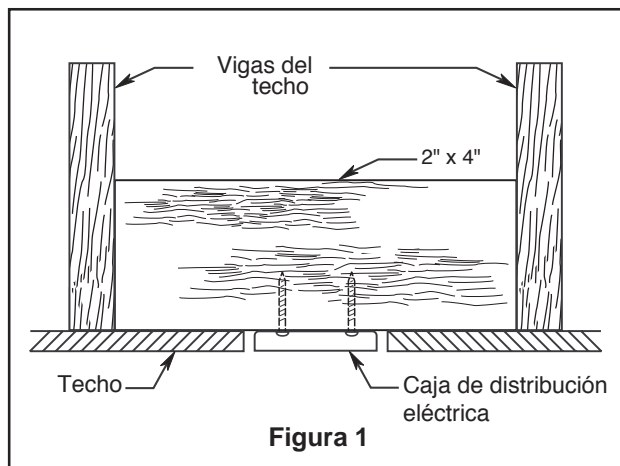
Su nuevo ventilador de techo requiere una línea de suministro eléctrico con conexión a tierra de 120 voltios de CA, 60 Hz, circuito de 15 amperios. La normativa eléctrica requiere el uso de una caja de distribución eléctrica para ventiladores que soporte el peso extra y el movimiento asociado a un ventilador de techo. La caja de distribución eléctrica será etiquetada como tal y soportará un ventilador de techo de un peso de hasta 70 libras. Dichas cajas varían en tipos y diseños. Asegúrese de que el tipo de su caja reúne los criterios para el ventilador que se está instalando. Las ilustraciones 1, 2 y 3 muestran las diferentes configuraciones estructurales que pueden ser utilizadas para dicha caja de distribución eléctrica.

Caja de perfil bajo (Figura 1)

La caja lisa de 1/2 pulgada de profundidad será atornillada a una viga o bloque. Se utilizará si solo un cable va a ser introducido en la caja. También está disponible en una configuración de montaje endosado.

Caja profunda (Figura 2)

La caja de 2-1/4 pulgada será atornillada a un bloque entre vigas que tenga suficiente espacio para colocar más de un cable.



Requisitos eléctricos y estructurales (cont.)

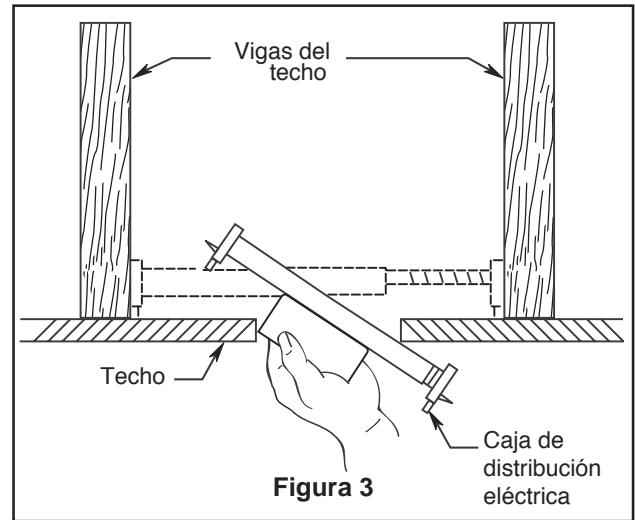
Profunda caja con aparato ortopédico (Figura 3)

Conectado a una caja de distribución eléctrica, este colgador sirve para abarcar el espacio entre dos vigas y ocupar el lugar de bloqueo de la madera.

▲ ADVERTENCIA

Para reducir el riesgo de incendio, descargas eléctricas o lesiones personales, monte el ventilador en una caja de salida marcada como "Apta para sostener ventiladores de 15,88 kg o menos" y use los tornillos de montaje provistos con la caja de salida. La mayoría de las cajas de salida que se usan comúnmente para sostener ensambles de iluminación no son aptas para sostener un ventilador y puede ser necesario reemplazarlas. Si tiene dudas, consulte a un electricista calificado.

Si su ventilador va a sustituir una instalación de iluminación existente, desconecte la electricidad de la caja del fusible principal en esta ocasión y extraiga la unidad de iluminación.



▲ ADVERTENCIA

Apagar el interruptor de pared no es suficiente. Para evitar posibles descargas eléctricas, asegúrese de que la electricidad esté desconectada en la caja de fusibles principal antes de realizar la instalación eléctrica. Toda instalación eléctrica debe cumplir con los códigos nacionales y locales y el ventilador de techo debe tener la conexión a tierra adecuada como forma de precaución ante posibles descargas eléctricas.

▲ ADVERTENCIA

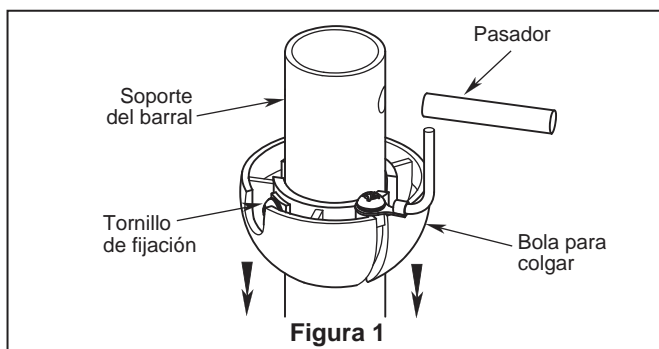
A fin de evitar incendios o descargas eléctricas, siga con cuidado todas las instrucciones de instalación eléctrica. Cualquier trabajo eléctrico que no se describa en estas instrucciones deberá ser realizado o aprobado por un electricista autorizado.

▲ ADVERTENCIA

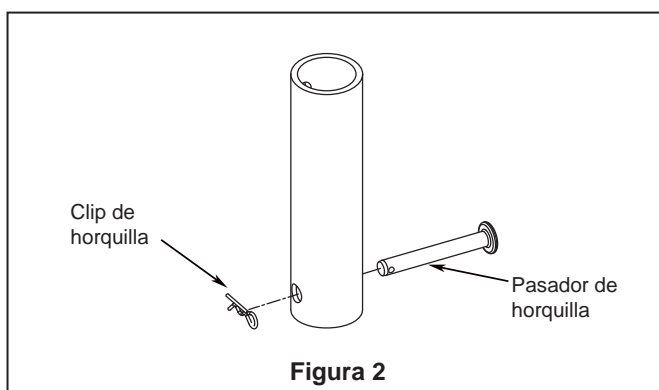
No utilice este ventilador con un controlador variable de pared (Rheostat) o un regulador de intensidad. Si lo hiciera podría dañar la unidad del mando a distancia del ventilador de techo.

Cómo ensamblar el ventilador de techo

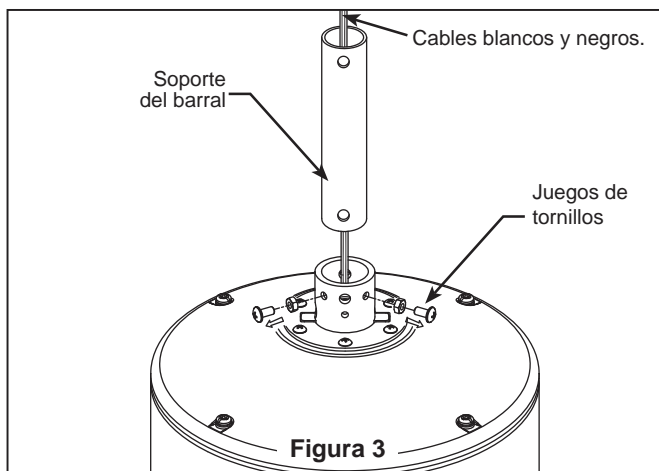
1. Antes de realizar el ensamblaje, separe y guarde las bolsas de accesorios en el empaque. Afloje el tornillo de fijación de la semiesfera para lograr que ésta pueda desplazarse libremente por el barral. Retire el pasador del barral y luego extraiga la semiesfera. Conserve el pasador y la semiesfera para su reinstalación en el Paso 6 (Figura 1).



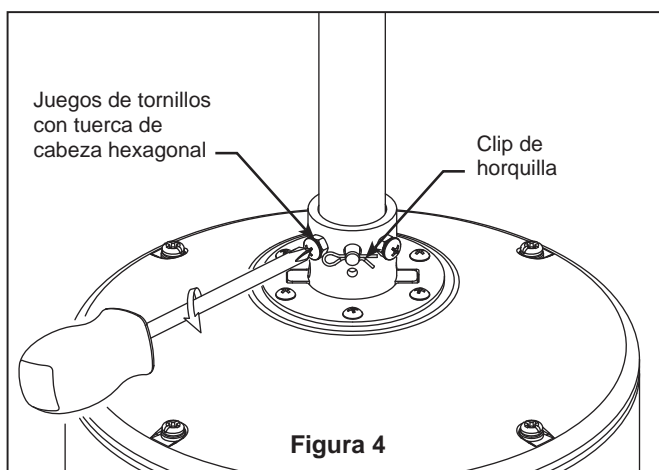
2. Retire el clip de horquilla y pasador de horquilla de la parte inferior de la bola para colgar. Retener el pasador y clip para la reinstalación en el paso 4. (Figura 2)



3. El ventilador viene con cables blancos y negros. Separe y desdoble dos cables y colóquelos a través de la varilla hueca. Afloje los dos tornillos de fijación del soporte del barral. Instale el barral en el acoplador. Alinee los orificios del pasador en el barral con los orificios del soporte del mismo. (Figura 3)



4. Instale el pasador y el pasador de horquilla, y apriete los tornillos de fijación. El pasador y el pasador de horquilla deben estar instalados correctamente para evitar que los tornillos de fijación se aflojen. (Figura 4)

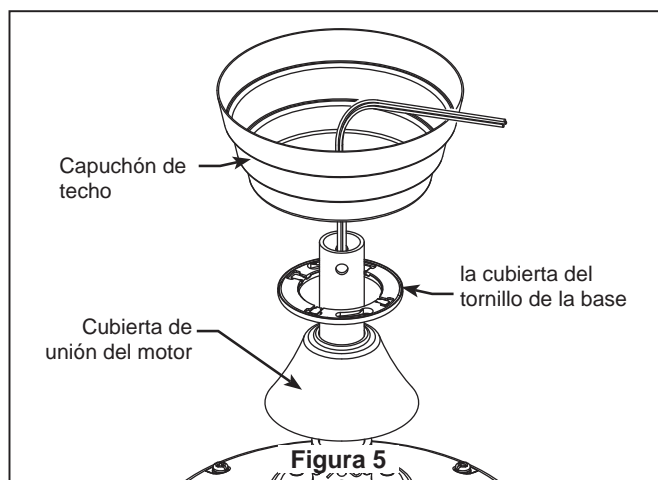


⚠ ADVERTENCIA

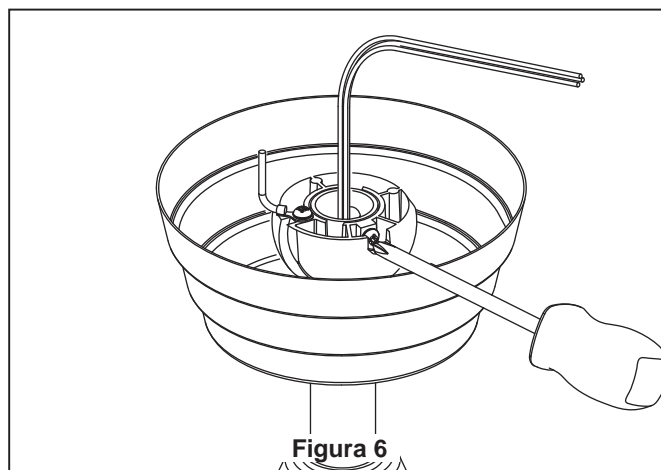
Es de suma importancia que el tornillo Clevis en el soporte del barral esté colocado correctamente y que los tornillos de fijación y las tuercas estén bien ajustados. Si el tornillo Clevis, las tuercas, el pasador de horquilla y los tornillos de fijación no están correctamente colocados, el ventilador podría caerse.

Cómo ensamblar el ventilador de techo (cont.)

5. Pase los cables a través de la cubierta de unión del motor, la cubierta para el tornillo y el capuchón. (Figura 5)

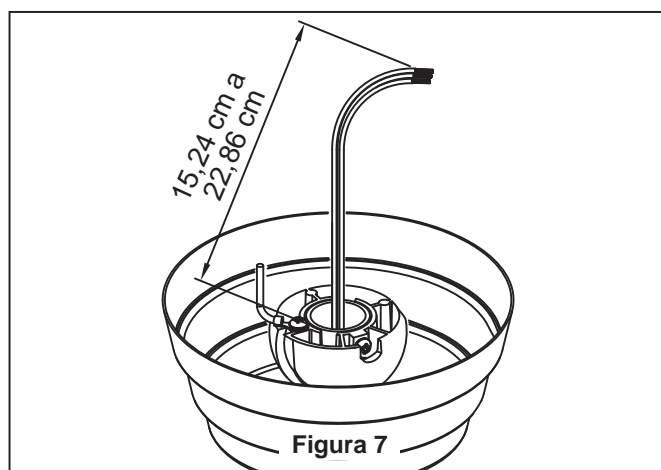


6. Vuelva a colocar la semiesfera en el barral como se indica a continuación. Pase los dos cables de 2.03 m (80") para techo a través de la semiesfera de la semiesfera. Pase el pasador a través de los dos orificios en el barral y alinee la semiesfera de modo que el pasador quede atrapado en la ranura de la parte superior de la misma. Empuje la semiesfera hacia arriba, bien ajustada contra el pasador. Ajuste firmemente el tornillo de fijación en la semiesfera. Si el tornillo de fijación está flojo, podría provocar oscilación del ventilador. (Figura 6)



7. Corte el exceso de cable aproximadamente de 15 a 23 cm (6 a 9 pulgadas) por encima de la parte superior del barral. Pele 1,2 cm (½") del aislamiento en cada extremo del cable. (Figura 7)

NOTA: Se deben revisar todos los tornillos de fijación y volver a ajustarlos cuando sea necesario antes de realizar la instalación.



Cómo colgar el ventilador de techo

⚠ ADVERTENCIA

Para evitar posibles descargas eléctricas, asegúrese de que la electricidad esté desconectada en la caja de fusibles principal antes de colgar el ventilador. (Figura 1)
NOTA: Si no está seguro de si la caja de distribución eléctrica tiene conexión a tierra, pida asesoramiento a un electricista autorizado, ya que la conexión a tierra es fundamental para un funcionamiento seguro.

⚠ ADVERTENCIA

Las aspas del ventilador deben estar suspendidas, al menos, a 2.1 m (7') del piso. (Figura 2)

⚠ ADVERTENCIA

La caja de distribución eléctrica debe estar bien asegurada y debe ser capaz de soportar una carga de al menos 15.9 kg (35 lb). El soporte de suspensión debe estar colocado firmemente contra la caja de distribución eléctrica. Si la caja de distribución eléctrica está empotrada, retire la tablaroca hasta que el soporte haga contacto con la caja. Si el soporte o la caja de distribución eléctrica no están bien asegurados, el ventilador podría oscilar o caerse.

1. Fije bien el soporte de suspensión a la caja de distribución con los tornillos y las arandelas suministrados con la misma (Figura 3).

NOTA: Se deben pasar los tornillos de la caja de distribución eléctrica a través de los orificios que se encuentran en el soporte de suspensión (Figura 3).

2. Pase los cables eléctricos de la caja de distribución eléctrica a través de la abertura del soporte de suspensión, dóblelos hacia arriba y apártelos de modo que la semiesfera se ajuste fácilmente en el soporte de suspensión.

3. Con cuidado, levante el ventilador y apoye la unidad del barral/de la semiesfera en el soporte de suspensión que acaba de fijar a la caja de distribución eléctrica (Figura 4). Asegúrese de que la ranura en la semiesfera esté alineada con el reborde del soporte de suspensión (Figura 3).

4. Después de empalmar, la conexión eléctrica debe doblarse hacia arriba e insertarse con cuidado en la caja de distribución eléctrica.

⚠ ADVERTENCIA

Si la pestaña no está en la ranura, podrían producirse daños en los cables eléctricos y posibles descargas eléctricas o incendios.

⚠ ADVERTENCIA

Para evitar una posible descarga eléctrica, no aprisione los cables entre la unidad del barral/de la semiesfera y el soporte de suspensión.

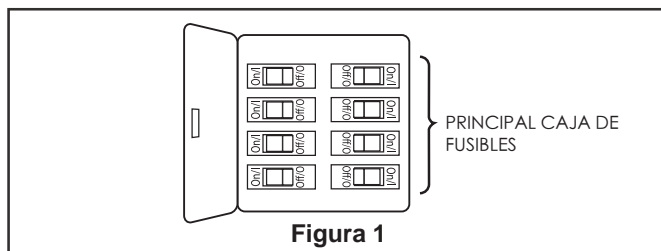


Figura 1

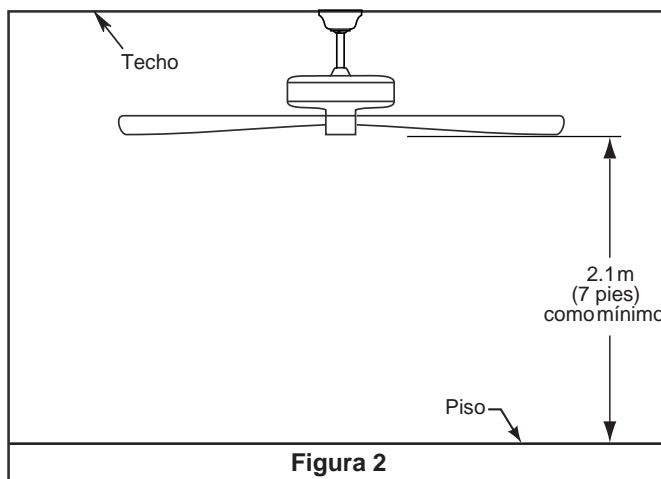


Figura 2

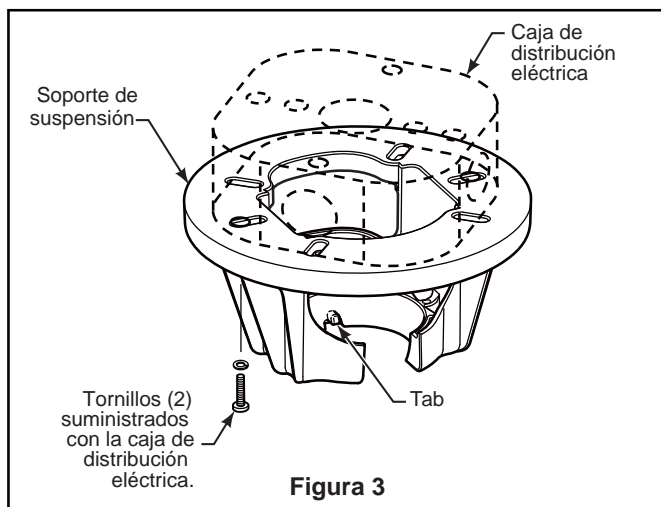


Figura 3

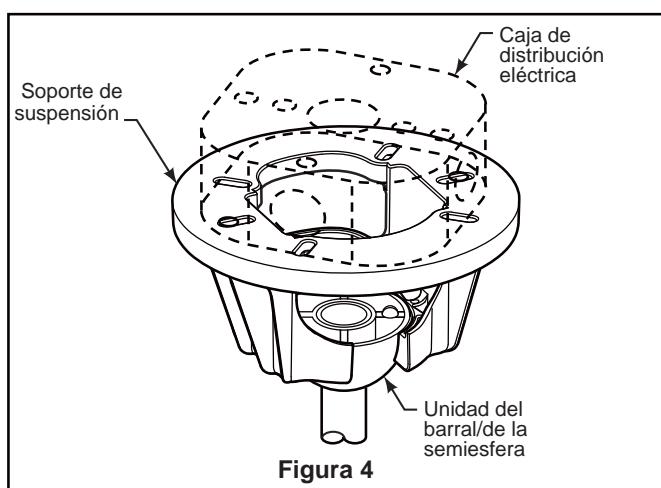


Figura 4

Cómo realizar la instalación eléctrica del ventilador de techo

⚠ ADVERTENCIA

Para evitar una posible descarga eléctrica, asegúrese de cortar la alimentación eléctrica de la caja de fusibles principal antes de colgar el ventilador. (Figura 1)

NOTA: Si no está seguro de si la caja de salida tiene conexión a tierra, pida consejo a un electricista certificado, ya que debe tener conexión a tierra para un funcionamiento seguro.

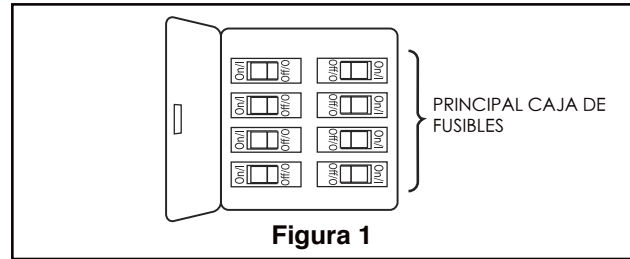


Figura 1

1. Conecte el conductor verde con conexión a tierra de la bola para colgar y el conductor verde con conexión a tierra de la abrazadera para colgar al conductor de suministro con conexión a tierra (posiblemente un conductor desnudo o un cable con aislante verde). Conecte los cables a los conectores provistos de forma segura. Conecte el conductor blanco del motor del ventilador al conductor blanco (neutro) mediante el conector provisto de forma segura. Conecte el conductor negro del motor del ventilador y el conector azul al conductor negro mediante el conector provisto de forma segura. (Figura 2)

NOTA: Si no está seguro de si la caja de salida tiene conexión a tierra, pida consejo a un electricista certificado, ya que debe tener conexión a tierra para un funcionamiento seguro.

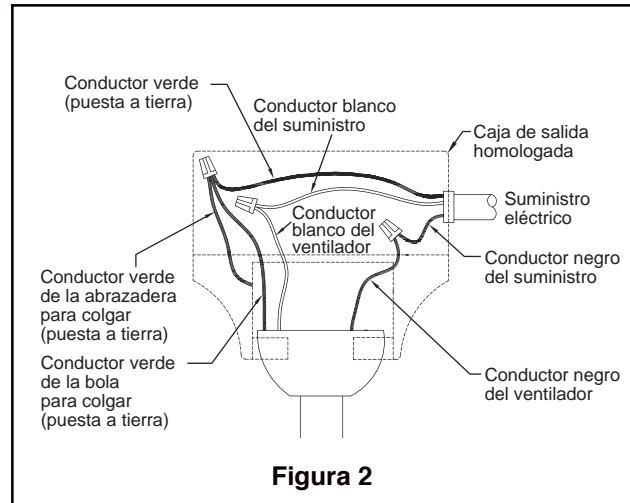


Figura 2

⚠ ADVERTENCIA

Verifique que todas las conexiones estén ajustadas, incluida la conexión a tierra, y que no haya conductores desnudos visibles en los conectores, excepto el conductor con conexión a tierra. No opere el ventilador hasta que las aspas estén instaladas. Podría ocasionar ruidos y daños al motor.

2. Una vez realizadas las conexiones, gire los conductores hacia arriba y, con cuidado, colóquelos dentro de la caja de salida; con los conductores blancos y verdes hacia un lado y los conductores negros hacia el otro. Los cables deben separarse, el conductor con conexión a tierra y el conductor con conexión a tierra del equipo hacia un lado de la caja de salida, y el conductor sin conexión a tierra hacia el otro. (Figura 3)

Aditamentos utilizados:

Conectores de cable  x 3

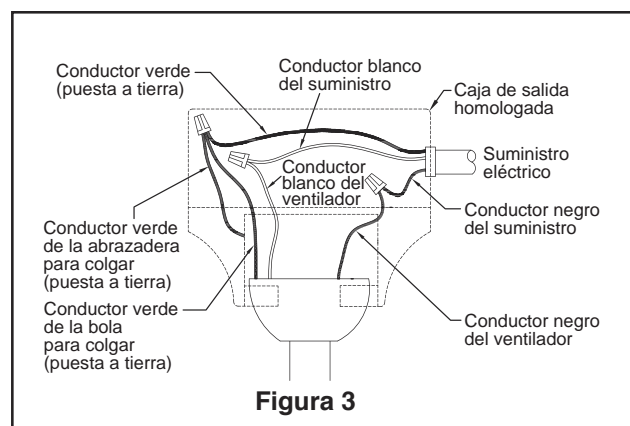


Figura 3

Instalación de la cubierta del capuchón

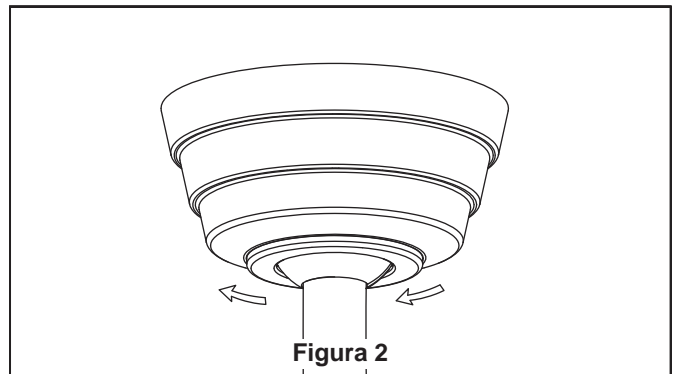
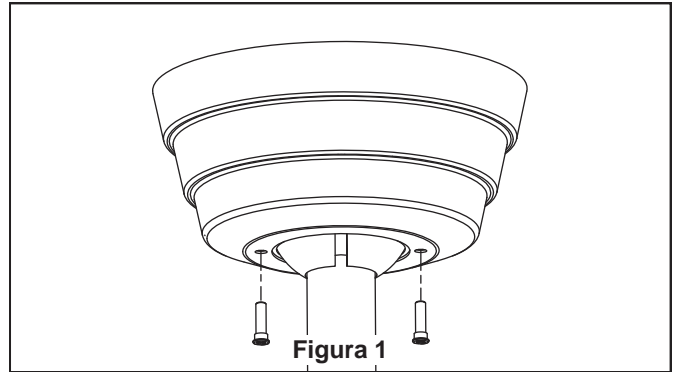
NOTA: Este paso se debe realizar luego de completar la instalación eléctrica necesaria.

1. Retire uno de los dos tornillos de reborde de la abrazadera para colgar. Afloje el segundo tornillo de reborde sin retirarlo del todo. Ensamble la base girando el chavetero de la base sobre el tornillo de reborde de la abrazadera para colgar. Ajuste el tornillo de reborde. Ensamble por completo el segundo tornillo de reborde que antes había retirado y ajústelo. (Figura 1)

⚠ ADVERTENCIA

Para evitar una posible descarga eléctrica o incendio, asegúrese de colocar los cables eléctricos completamente dentro de la carcasa de la base, y de no apretarlos entre la carcasa y el techo.

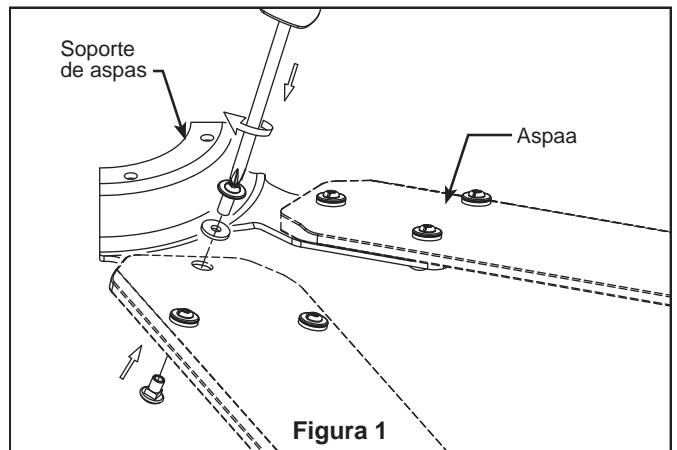
2. Coloque y ajuste firmemente la cubierta para el tornillo de la base sobre los tornillos de reborde de la abrazadera para colgar mediante el mecanismo de seguro por giro del chavetero. (Figura 2)



Ensamblaje y montaje de las aspas del ventilador y la caja del interruptor

1. Apoye el lado liso del soporte de aspas sobre una superficie plana, con la parte interior del soporte mirando hacia arriba. Ensamble el asa en el soporte de aspas con tuerca de cabeza hexagonal, tornillos y arandelas de fibra. Asegúrese de que la parte inferior del asa se encuentre bien apoyada sobre el soporte. Fije los tornillos con el destornillador suministrado sin apretarlos demasiado. (Figura 1)

NOTA: Encontrará que la pala del ventilador viene empaquetada en su propio envoltorio de cartón y que las sujeciones de las palas y la bolsa del hardware vienen en la caja del ventilador.

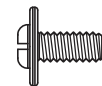


PRECAUCIÓN

No conecte las aspas hasta que el ventilador esté totalmente instalado. Instalar el ventilador con las aspas colocadas podría ocasionar daños en las mismas.

Aditamentos utilizados:

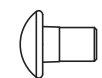
Tornillos de 3/16"-24 x 24



Arandela plana x 24



3/16"-24 Tuerca de cabeza hexagonal x 24



Ensamblaje y montaje de las aspas del ventilador y la caja del interruptor(cont.)

2. Ajuste las aspas ensambladas y los soportes al del motor con los tornillos y las arandelas de seguridad suministrados. Asegúrese de que los tornillos que fijan los soportes de aspas al buje del motor estén bien ajustados y que los soportes de aspas estén correctamente colocados. (Figura 2)

NOTA: Periódicamente verifique los aditamentos de los soportes de las aspas y vuelva a asegurarlos si es necesario. (ver mantenimiento por debajo)



ADVERTENCIA

Para reducir el riesgo de lesiones personales, no doble los soportes de aspas al instalarlos, balancear las aspas o limpiar el ventilador. No coloque objetos extraños entre las aspas del ventilador en funcionamiento.

Unidad la copa de la interruptor :

3. Extraiga los 6 tornillos del motor y guárdelos para volver a colocarlos en los pasos 4 y 5. (Figura 3)
4. Fije la cubierta del adaptador del interruptor en el borde de soporte usando tres de los seis tornillos anteriormente extraídos y fíjelos por completo. (Figura 4)
5. Fije la cubierta interior en el borde de soporte usando los tres tornillos restantes y fíjelos por completo. (Figura 5)
6. Monte el cubierta que cubre el interruptor en la cubierta interior interruptor girándolo en el sentido de las agujas del reloj. (Figura 6)

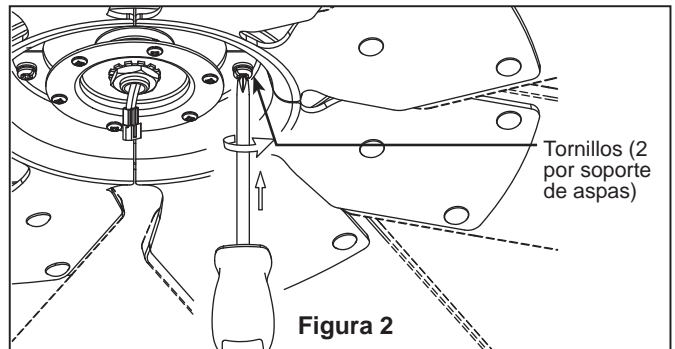


Figura 2

Aditamentos utilizados:

Tornillos con arandelas de seguridad de 1/4"-20

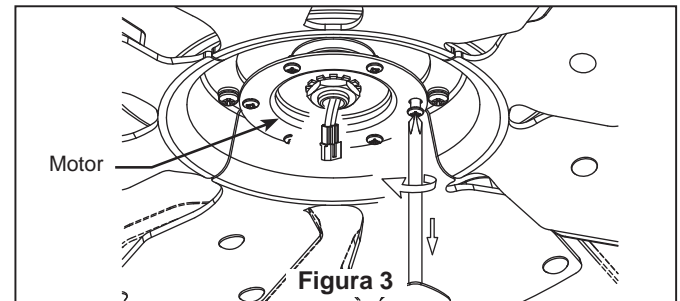
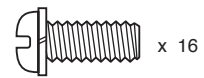


Figura 3

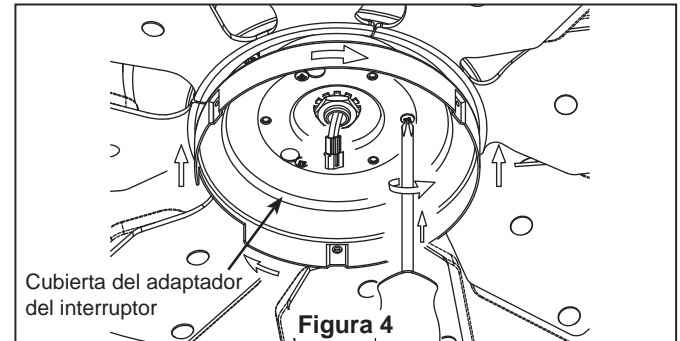


Figura 4

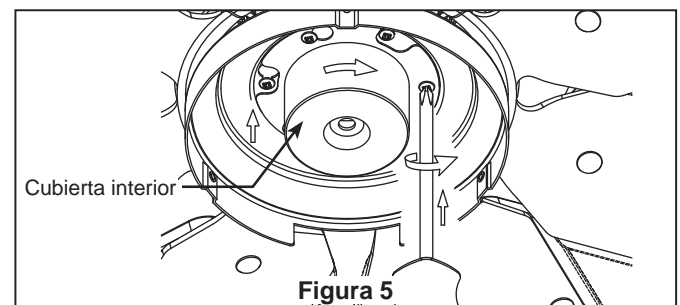


Figura 5

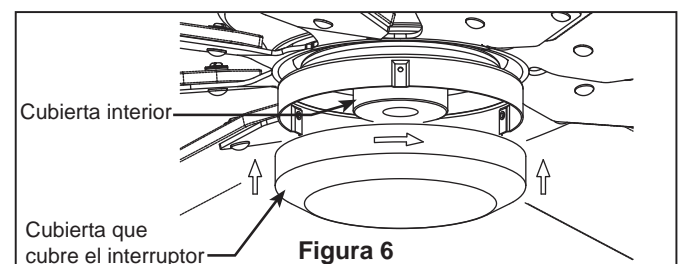


Figura 6

Cómo utilizar su ventilador de techo

1. IMPORTANTE:

El uso de un regulador de la intensidad completa (no incluido) para controlar la velocidad del ventilador dañará el dispositivo. Para reducir el riesgo de incendio o descarga eléctrica, no utilice dicho regulador para controlar la velocidad del ventilador. (Figura 1)

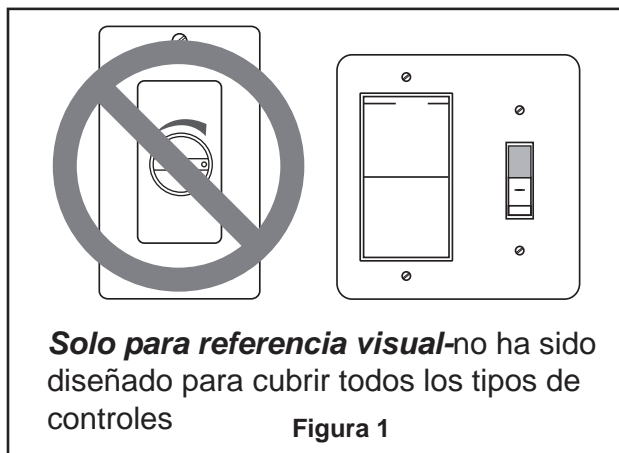
2. Restaure la fuente de alimentación de la toma de corriente enciendo la electricidad del fusible principal. (Figura 2)

NOTA: El receptor del sistema de los controladores se caracteriza por la función de aprendizaje automático. No hay interruptores de frecuencia en la unidad del receptor. El receptor ya que se escaneará automáticamente la frecuencia desde el mando a distancia si se realiza cualquier cambio. Los ajustes de frecuencia deben modificarse solo en el caso de interferencia o si múltiples ventiladores con el mismo sistema de control son instalados en la misma estructura.

3. Para que el ventilador sea funcional, instale las pilas (incluidas) de 23A/12V en el transmisor del mando a distancia. Mientras el ventilador esté apagado. A continuación, siga el proceso de fijación remota de código. Si no se utiliza el ventilador durante un largo periodo de tiempo, extraiga la batería para evitar cualquier daño al transmisor. Almacene el mando a distancia en un lugar alejado del calor o la humedad excesiva. (Figura 3)

4. Si tiene varios ventiladores y desea programarlos todos en un único mando a distancia, conecte todos los ventiladores a su fuente de alimentación en el techo y siga el Paso 1 del proceso de configuración del mando a distancia. Cada ventilador necesita estar a menos de 30 pies de distancia del mando al que desea programarlo. Tenga en cuenta que el interruptor de pared que controla la fuente de alimentación de su(s) ventilador(es) debería estar en la posición Apagado hasta que esté listo para programar su(s) mando(s) a distancia.

5. Si tiene múltiples ventiladores y desea programar cada uno con mandos a distancia diferentes, conecte un ventilador cada vez a su fuente de alimentación en el techo y siga el Paso 1 del siguiente proceso de configuración de mando a distancia. Antes de conectar el segundo ventilador a su fuente de alimentación de techo, debe desconectar el primer ventilador que fue conectado y programado de la fuente de alimentación del techo. Repite estos pasos para cada uno de los ventiladores que desea programar a un mando a distancia diferente. Tenga en cuenta que el interruptor de pared que controla el encendido de su(s) ventilador(es) debería estar en la posición apagado hasta que esté preparado para programar su(s) mando(s) a distancia.



Solo para referencia visual-no ha sido diseñado para cubrir todos los tipos de controles

Figura 1



ADVERTENCIA

Compruebe que todas las conexiones realizadas correctamente, incluyendo la toma de tierra, y que no se visualizan ningún cable pelado en los conectores de cables, con la excepción del cable de toma de tierra. No utilice el ventilador hasta que las palas estén colocadas en su lugar, ya que de lo contrario se podría causar ruido y daños.

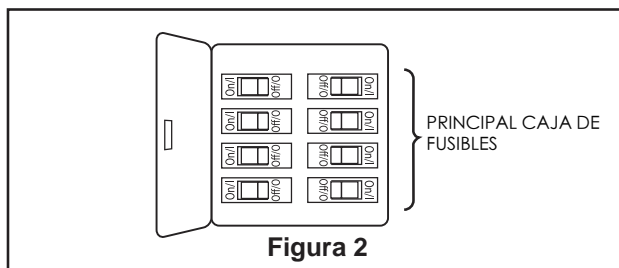


Figura 2



ADVERTENCIA

No utilice este ventilador con un controlador variable de pared (Rheostat) o un regulador de intensidad. Si lo hiciera podría dañar la unidad del mando a distancia del ventilador de techo.

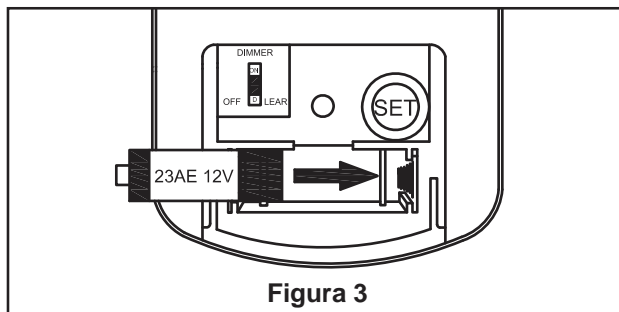


Figura 3

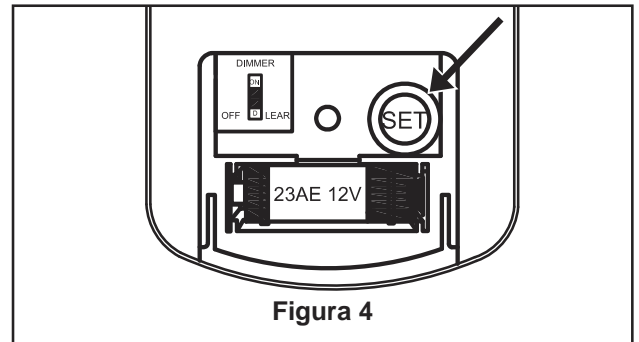
PRECAUCIÓN

Si el producto no se usará por un período prolongado, retire la batería para evitar que se dañe el control remoto. Asegúrese de almacenar el control remoto alejado del calor y humedad extremos.

Cómo utilizar su ventilador de techo (Cont.)

6. Configuración del mando a distancia y proceso de configuración de la velocidad (RPM): (Figura 4)

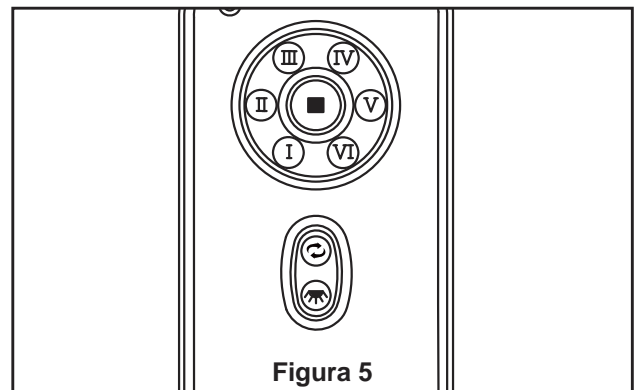
- 1) Tras la instalación y el cableado de la unidad, vuelva a suministrar electricidad a su ventilador asegurándose de que el disyuntor y el interruptor de pared que controlan la fuente de alimentación estén en la posición de encendido. Pulse y mantenga pulsado el botón "SET" del interior del compartimento de las pilas del mando a distancia durante 1-5 segundos.
- 2) Debe pulsar el botón "SET" en menos de 60 segundos después de haber suministrado la electricidad al ventilador.
- 3) Cuando haya restaurado la electricidad a su ventilador a través del disyuntor y del interruptor de pared, NO pulse ningún botón en el mando a distancia hasta que haya pulsado el botón "SET", ya que de lo contrario el ventilador perderá el proceso de aprendizaje.
- 4) Si pulse algún botón en el mando a distancia antes de pulsar el botón "SET", coloque de nuevo el interruptor de la pared que controla el encendido del ventilador en la posición de apagado, e inicie el proceso desde el Paso 1.



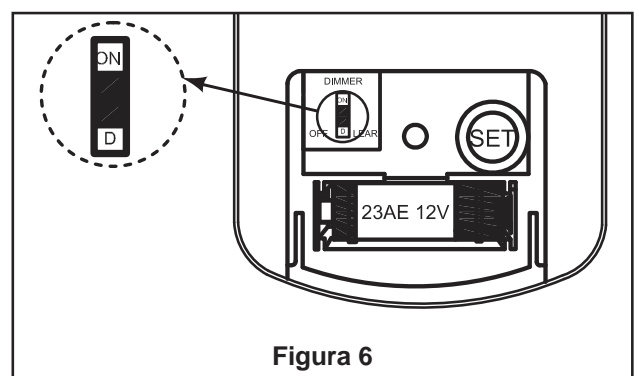
- 5) Cuando pulse el botón "SET", el ventilador empezará a funcionar, comenzando el proceso de configuración del mando a distancia.
- 6) NO pulse ningún botón después de pulsar el botón SET mientras el ventilador se está programando o causará que no se realice bien la programación.
- 7) El ventilador girará en ambas direcciones (adelante y atrás) durante aproximadamente 5 minutos.
- 8) Cuando el ventilador deje de funcionar tras 5 minutos, Esto indica que el mando a distancia y el proceso de configuración de la velocidad han sido realizados.
- 9) El ventilador ya está preparado para su uso normal.

7. Los botones del mando a distancia se describen a continuación: (Figura 5)

- Velocidad del ventilador:
I = Velocidad mínima II = Velocidad baja
III = Velocidad medio baja IV = Velocidad media
V = Velocidad medio alta VI = Velocidad alta
- Botón: Este botón apaga el ventilador.
- Botón Invertir (Parte posterior del mando a distancia): Este botón controla la dirección del ventilador.
- Botón Luz: Controla el encendido/apagado de la luz y los niveles de iluminación (que se realiza manteniendo pulsado el botón de encendido / apagado de la iluminación).



8. Conmutador "D" y "ON": La selección "ON" es la selección regulable de luz y debe ser utilizada con todas las bombillas menos con las bombillas CFL. La selección "D" es la encender solo la luz (sin la función de regulación) y debe ser utilizada con bombillas CFL, ya que estas no pueden ser reguladas. El receptor ofrece la siguiente función protectora: (Figura 6)



Posición de bloqueo: El motor CC posee una función de seguridad integrada para evitar la obstrucción de las palas durante el funcionamiento del ventilador. Si algo obstruyera las palas del ventilador, el motor dejaría de funcionar tras 30 segundos de interrupción. Extraiga los obstáculos antes de restaurarlo.

Protección sobre 80 W: Cuando el receptor detecta que el consumo de electricidad del motor supere los 80 W, la fuente de alimentación del receptor se apagará y el ventilador dejará de funcionar. Desconecte la fuente de alimentación y tras 5 segundos vuelva a encender el ventilador.

Cómo utilizar su ventilador de techo (Cont.)

9. Si ha encontrado un problema durante el proceso de configuración, puede seguir el siguiente procedimiento para limpiar el código de memoria de su mando a distancia: (Figura 7)

1) Ponga el interruptor de pared que controla el encendido del ventilador en la posición de apagado, o ponga el disyuntor que controla el encendido del ventilador en la posición de apagado.

2) Ponga el interruptor de pared que controla el encendido del ventilador en la posición de encendido, o ponga el disyuntor que controla el encendido del ventilador en la posición de encendido.

3) Pulse el botón "SET" del interior del compartimento de pilas del mando a distancia EN MENOS DE 60 segundos después de haber suministrado la electricidad al ventilador.

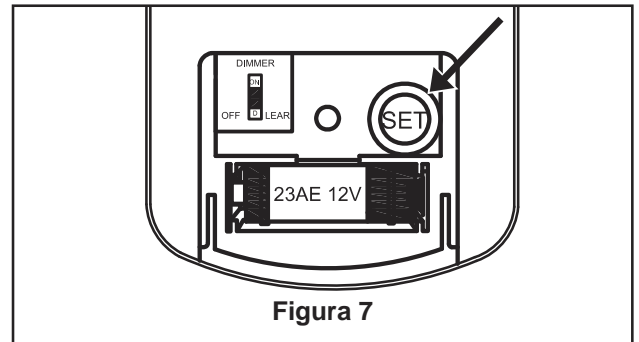
4) Al pulsar el botón "SET" durante 5 segundos indicará que el ventilador está programado al mando a distancia que tiene en la mano.

5) El ventilador la luz se encenderá y apagará dos veces. Si no hay luz, el ventilador sólo girará en un sentido y en el otro – Esto indica que el ventilador ha aprendido el código del mando a distancia que está sosteniendo.

6) Al pulsar el botón "SET" durante más de 10 segundos iniciará el proceso de eliminación de código. El ventilador girará en un sentido y en el otro y la luz se encenderá y apagará dos veces y si el ventilador tiene luz.

7) Esto indicará que los ventiladores y los mandos a distancia han eliminado sus códigos de memoria.

8) Tenga en cuenta que para eliminar los códigos de memoria, debe mantener pulsado el botón SET durante más de 10 segundos.



Mantenimiento

El único mantenimiento necesario para el ventilador de techo es una limpieza periódica.

Al llevar a cabo la limpieza, use sólo un cepillo suave o un paño sin pelusas, para evitar rayar el acabado.

No se requieren agentes abrasivos de limpieza; los mismos deben evitarse para prevenir daños en el acabado.

SE RECOMIENDA: verificar periódicamente que los tornillos que sujetan los soportes de aspas al buje del motor estén bien ajustados.

PRECAUCIÓN

No utilice solventes para limpiar el ventilador de techo. Podrían dañar el motor o las aspas y ocasionar posibles descargas eléctricas.

Cómo limpiar las palas de su ventilador de techo

Se recomienda limpiar periódicamente el polvo de las palas. Un guardapolvos de pluma será la mejor solución de limpieza. Evite el uso de agua, limpiadores o trapos ásperos que podrían combar o dañar las palas.

Lista de piezas Modelo N.º MAD7912**

N.º de Ref.	Descripción	Pieza N.º
1	Unidad del soporte de suspensión	AP255BL
2	Unidad del barral/de la semiesfera	ADR1-6**
3	Capuchón de techo	PG165**
4	Cubierta para el tornillo del capuchón	AP260**
5	Cubierta de unión del motor	AP1115**
6	Unidad del motor del ventilador	AMA7912**
7	Unidad la copa de la interruptor	AP791201**
7a	Cubierta del adaptador del interruptor	P791201**
7b	Cubierta interior	P791203BL
7c	Cubierta que cubre el interruptor	AP791202**
8	Soportes de aspas	AP880001**
9	Mando a distancia	TR39
10	Receptor	RC165M-7912PG
11	<i>Bolsa de accesorios que contiene:</i>	HDWMAD7912**
	Kit de balanceo de aspas (KTBAL)	
	Conectores de cables (4)	
	<i>Bolsa de accesorios para el montaje de los soportes de aspas que contiene:</i>	
	Tornillos con arandelas de seguridad de 1/4"-20 (9)	
	<i>Bolsa de accesorios para el montaje de aspas que contiene:</i>	
	Tornillos 3/16"-24 y arandelas de plana (25)	
	3/16"-24 Tuerca de cabeza hexagonal (25)	
	Arandelas planas (25)	
	Destornillador Phillips de 4"	

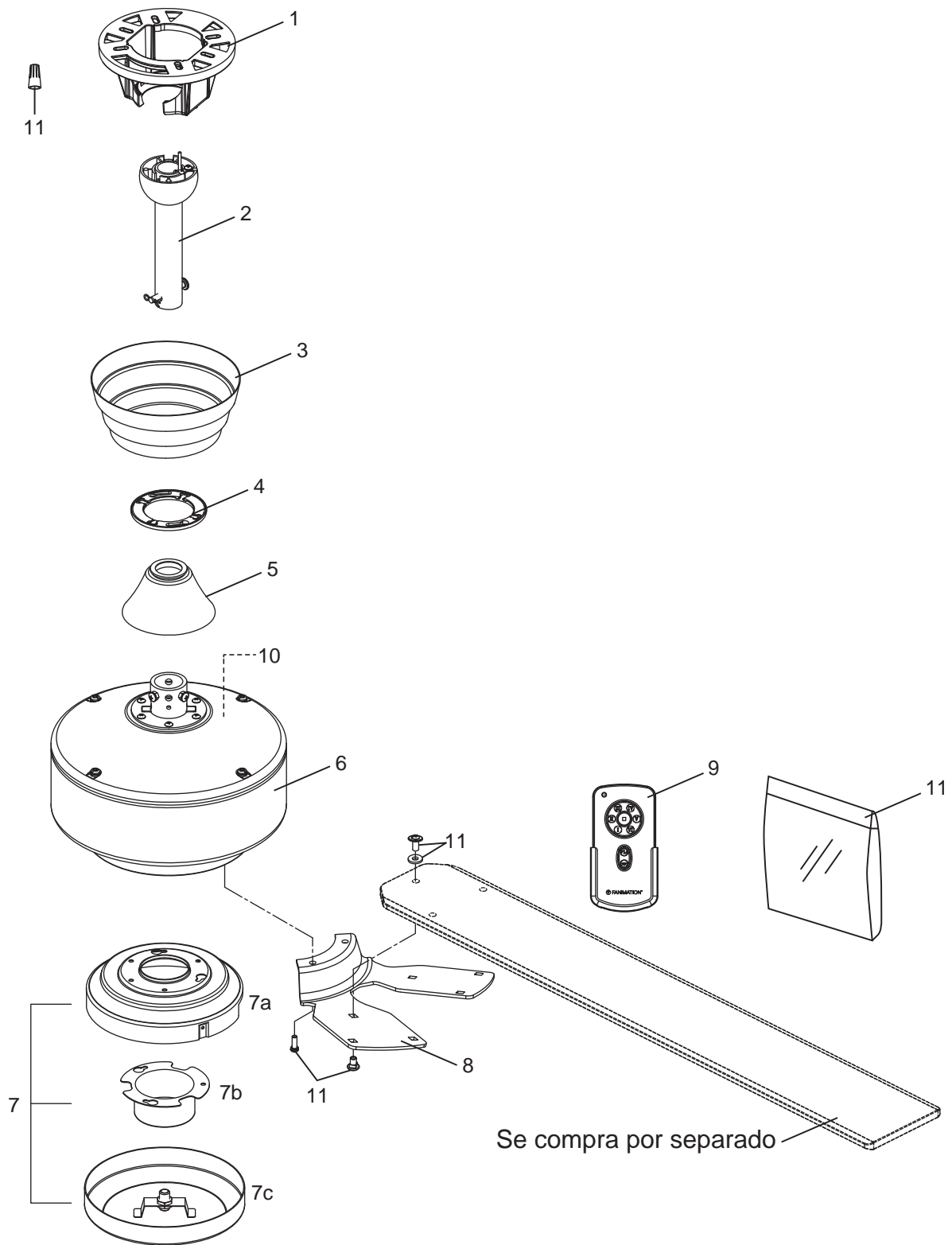
Inserte los **CÓDIGOS DE ACABADO (Consulte el número de modelo del ventilador que se encuentra en el soporte de barral)

Antes de desechar los materiales de embalaje, asegúrese de haber extraído todas las piezas

Cómo hacer un pedido de piezas
<p>Al hacer un pedido de piezas de repuesto, proporcione siempre la siguiente información:</p> <ul style="list-style-type: none"> • Número de pieza • Descripción de la pieza • Número de modelo del ventilador <p>Póngase en contacto con su tienda para obtener las piezas de repuesto.</p>

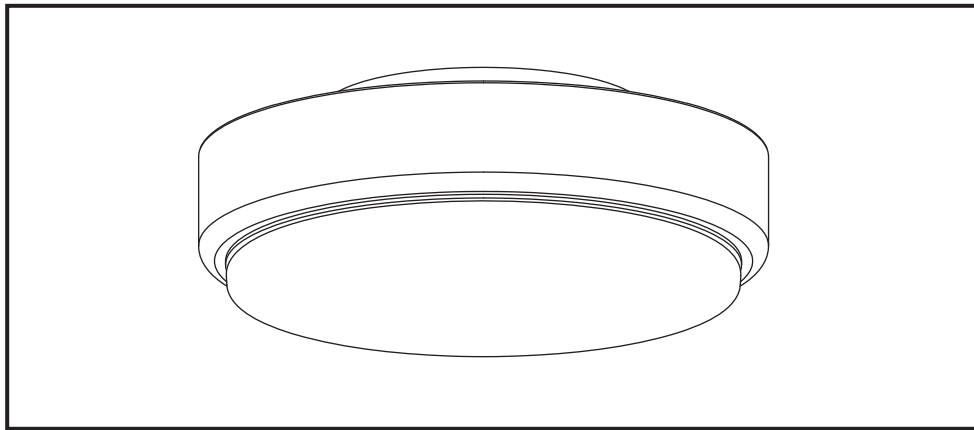
MAD7912**

Ilustración del despiece



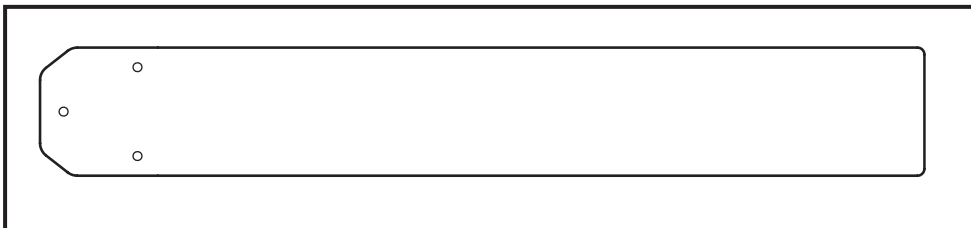
NOTA: la ilustración que se muestra no está hecha a es cala y su configuración real puede variar.
Producto / partes están sujetas a cambios sin previo aviso.

Kit de iluminación opcional Modelo N.º LK7912**



Paquete de las ocho palas opcional

1	Juego de aspa	BPW7912** B7912** B7913** B7914**
---	---------------	--



NOTA: la ilustración que se muestra no está hecha a escala y su configuración real puede variar.

Antes de desechar los materiales de embalaje, asegúrese de haber extraído todas las piezas

Cómo hacer un pedido de piezas

Al hacer un pedido de piezas de repuesto, proporcione siempre la siguiente información:

- Número de pieza
- Descripción de la pieza
- Número de modelo del ventilador

Póngase en contacto con su tienda para obtener las piezas de repuesto.

Solución de problemas

ADVERTENCIA

Para su propia seguridad, desconecte la electricidad de la caja de fusibles o disyuntor antes de solucionar problemas en su ventilador.

Problema	Causa posible	Solución sugerida
1. EL VENTILADOR NO ARRANCA	<ol style="list-style-type: none"> 1. El fusible o el disyuntor están fundidos. 2. Las conexiones eléctricas del ventilador o del interruptor en la caja del interruptor están flojas. 3. Pila agotada del mando a distancia. 	<ol style="list-style-type: none"> 1. Controle los fusibles del circuito principal y derivado o los disyuntores. 2. Controle las conexiones eléctricas del ventilador y del interruptor en las cajas de los interruptores. PRECAUCIÓN: ¡Asegúrese de que el suministro principal de electricidad esté desconectado! 3. Sustituir con una pila nueva.
2. EL VENTILADOR HACE RUIDO	<ol style="list-style-type: none"> 1. Las aspas no están sujetas al ventilador 2. Hay tornillos flojos en la caja del motor. 3. Los tornillos que aseguran los soportes de las aspas al buje del motor están flojos. 4. Los conectores de cables dentro de la caja hacen ruido. 5. Ruido del motor provocado por el control de velocidad de estado sólido variable. 6. Los tornillos que sujetan las aspas a los soportes de aspas están flojos. 	<ol style="list-style-type: none"> 1. Ajuste las aspas al ventilador antes de ponerlo en funcionamiento. 2. Asegúrese de que todos los tornillos de la caja del motor estén bien ajustados (pero no en exceso). 3. Asegúrese de que los tornillos que fijan los soportes de aspas al buje del motor del ventilador estén bien ajustados. 4. Asegúrese de que los conectores de cables en la caja del interruptor no produzcan ruido al rozar unos con otros o al rozar la pared interior de la caja del interruptor. 5. Algunos motores de ventilador son sensibles a las señales de los controles de velocidad de estado sólido variables. Los controles de estado sólido no son recomendables. Escoja un método de control alternativo. 6. Ajuste bien los tornillos. <p>PRECAUCIÓN: ¡Asegúrese de que el suministro principal de electricidad esté desconectado!</p>
3. EL VENTILADOR OSCILA EN EXCESO	<ol style="list-style-type: none"> 1. El tornillo de fijación y la tuerca del soporte de barral están flojos. 2. El tornillo de fijación en la unidad del barral/de la semiesfera está flojo. 3. Los tornillos que aseguran los soportes de las aspas al buje del motor están flojos. 4. Los soportes de aspas no están colocados correctamente. 5. El soporte de suspensión o la caja de distribución eléctrica del techo no están bien asegurados. 6. Las aspas del ventilador están desbalanceadas. 	<ol style="list-style-type: none"> 1. Ajuste bien los dos tornillos de fijación y las tuercas en el soporte de barral. 2. Ajuste el tornillo de fijación en la unidad del barral/de la semiesfera. 3. Asegúrese de que los tornillos que fijan los soportes de aspas al buje del motor del ventilador estén bien ajustados. 4. Asegúrese de que los soportes de las aspas del ventilador estén colocados firmemente y de manera uniforme en relación con la superficie de la caja del motor. Si los soportes están mal colocados, afloje los tornillos y vuelva a ajustarlos. 5. Ajuste los tornillos del soporte de suspensión de la caja de distribución eléctrica y asegúrela. 6. Al intercambiar la posición de las aspas, puede redistribuir el peso y hacer que el ventilador funcione más suavemente. Por ejemplo, intercambie las aspas en las posiciones 1 y 3, o 1 y 4. Si esto no mejora el nivel de oscilación, intercambie la 2 y 4.
4. NO HAY SUFICIENTE MOVIMIENTO DE AIRE		<ol style="list-style-type: none"> 1. Si es posible, considere el uso de un barral más largo. Por ejemplo (no incluido, usted puede comprar el tiempo de la vara hacia abajo fananimation.com)



10983 Bennett Parkway
Zionsville, IN 46077
Llame sin cargo al (888) 567-2055
FAX (866) 482-5215
Desde fuera de los EE.UU., llame al (317) 733-4113
Visite nuestro sitio Web en www.fanimation.com

2018/03 V.01
Copyright 2018 Fanimation