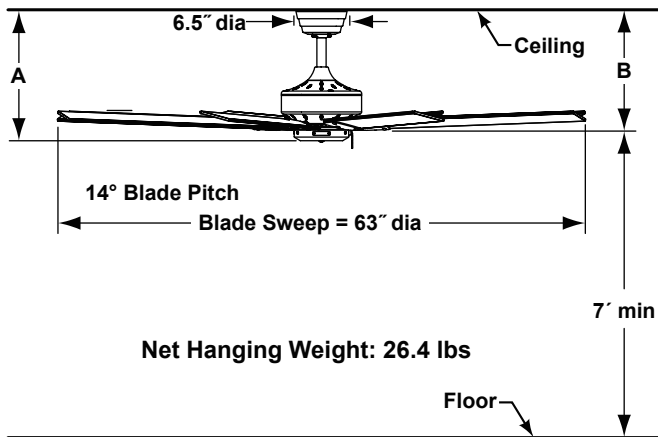


**LEVON™****FP79100B-220  
Ceiling Fan**

	A	B
Fan w/6" downrod	14.50"	12.00"
Fan w/12" downrod	20.50"	18.00"
Fan w/18" downrod	26.50"	24.00"
Fan w/24" downrod	32.50"	30.00"
Fan w/36" downrod	44.50"	42.00"
Fan w/48" downrod	56.50"	54.00"
Fan w/60" downrod	68.50"	66.00"
Fan w/72" downrod	80.50"	78.00"

**Available Finish**

OB	Oil-rubbed bronze
----	-------------------

**TUV/GS Efficiency Info (220V)**

Fan Speed	Max RPM	Amps	Watts
High	92	0.24	64
Med	67	0.17	36
Low	41	0.10	16

**INSTALLATION REQUIREMENTS:**

Fan must be attached to a securely anchored electrical junction box capable of withstanding a load of at least 50 lbs.

**ELECTRICAL REQUIREMENTS:**

Requires a grounded electrical supply line of 220~240 volts AC, 50 Hz, 5 amp circuit.

**MOTOR SPECS:**

188 x 25-220 motor is designed for optimal performance with this fan.

**BLADES:**

A set of eight 27.4" walnut finish wood blades is included.

**CONTROL OPTIONS:**

Optional C1-220, C2-220, C3-220 and C6-220 wall controls and CR4WH-220 remote control with receiver unit are available—sold separately. Instructions are provided with each control.

**LIGHTING OPTIONS:**

Optional lighting fitters and light kits are available. See our catalog or visit [www.fanimation.com](http://www.fanimation.com) for available lighting options.

**DOWNROD OPTIONS:**

Fan comes with a 1" dia. x 6" long downrod (DR1-6). Optional downrods available in 12", 18", 24", 36", 48", 60" and 72" lengths. Fan can be mounted on a sloped ceiling up to 30°. Most sloped ceiling installations require a downrod longer than the standard 6" downrod. Optional sloped ceiling ball kits (SCB1-52) are available for slope angles greater than 30° and up to 52°. Optional close-to-ceiling kit is available as well—sold separately. Call technical support for more information.

**LOCATION USE:**

Fan is rated for dry locations only.