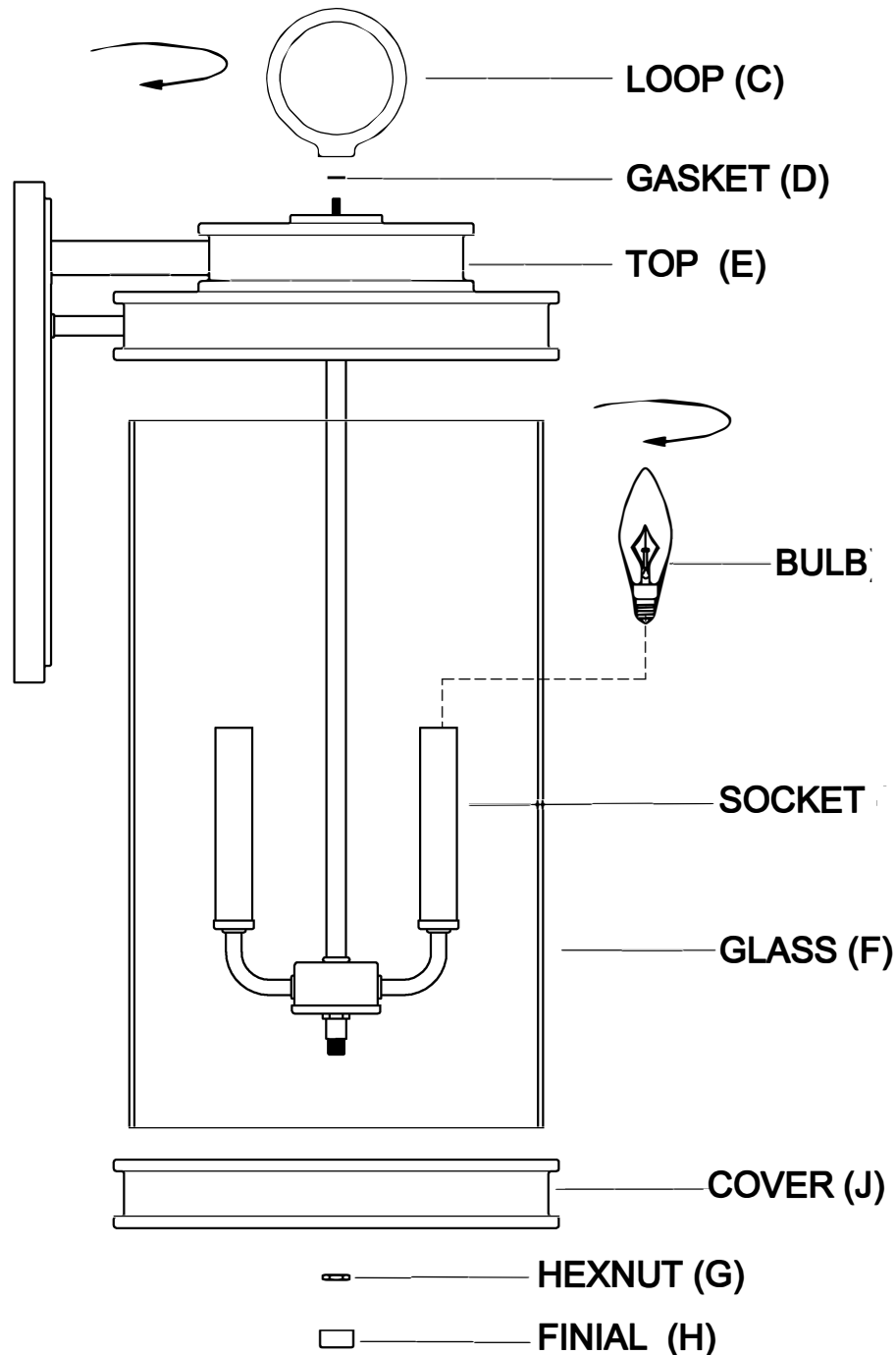




SAVOY  
HOUSE

ITEM NO: 5-903  
5-904  
5-905



**ASSEMBLY INSTRUCTIONS:**

1. Carefully unpack and identify all parts referring to illustration for parts identification.
2. Turn the power to the installation point OFF.
3. Refer to the additional installation instructions included with the product for wiring and installation.
4. Lock the loop (C) and gasket (D) clockwise onto the Top (E).
5. Install proper bulbs (not included) into each socket referring to the markings and/or labels on the fixture for maximum wattage.
6. Insert the glass (F) into the top (E).
7. Assemble the cover (J) onto the glass (F) using the hexnut (G) and finial (H).
8. Restore power to the installation point and retain this sheet for future reference.